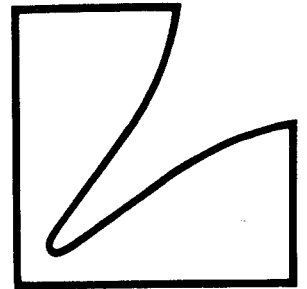


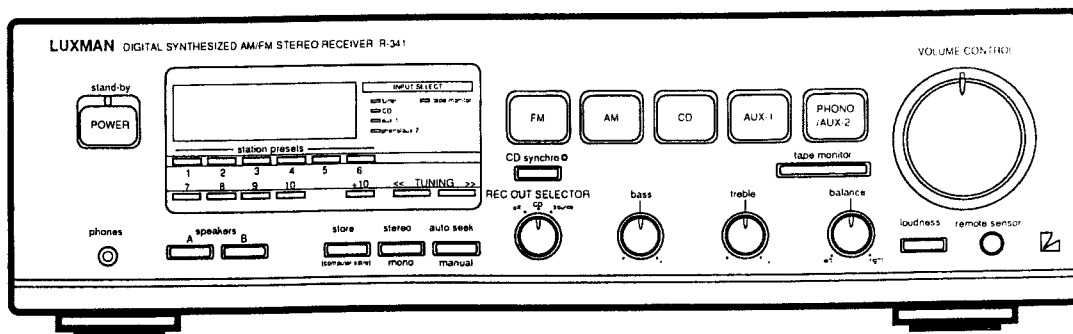
# SERVICE MANUAL



Digital Synthesized AM/FM Stereo Receiver

# R-341

- This model comes in 2 colors (black and champagne gold). Refer to this service manual for details.



---

## Contents

---

Specifications .....	3 to 4
Connection Guidelines .....	5 to 6
Controls and Switches .....	7 to 12
Jacks and Terminals .....	13 to 15
Operation Guidelines .....	16 to 20
Disassembly Instruction .....	21 to 22
Adjustment Procedures .....	23 to 25
Adjustment Locations <UZ/UQ Model only> .....	27 to 28
Adjustment Locations <AD Model only> .....	29 to 30
Block Diagram .....	31 to 32
Parts-Layout on P.C. Boards and Wiring Diagram <UZ/UQ Model only> .....	33 to 36
Parts-Layout on P.C. Boards and Wiring Diagram <AD Model only> .....	37 to 40
Schematic Diagram .....	41 to 51
Electrical Parts List .....	52 to 61
Packing Assembly Parts List .....	62
Packing Method View .....	62
Cabinet Assembly Parts List .....	63
Exploded View (Cabinet) .....	64 to 66
Semi-Conductor Lead Identifications .....	67 to 71

Spare Schematic Diagram Inserted.

# Specifications

## <AMPLIFIER SECTION>

Power Output (8ohm Load, 20Hz~20kHz)	35W
Distortion (8ohm Load, 20Hz~20kHz)	0.08%
Input Sensitivity (at 1kHz)	150 ± 30mV
Input Impedance (at 1kHz)	35kohm
Frequency Response (-3dB, Ref. 1kHz)	10Hz~50kHz (○, △) 10Hz~70kHz (●, ▲)
S/N Ratio (at 1kHz, 500mV Input)	82dB (○, △) 86dB (●, ▲)
Tone Controls	Bass (100Hz): ± 10 ± 2dB Treble (10KHz): ± 10 ± 2dB
Residual Noise	2mV
Cross talk (at 1kHz)	60dB
Separation (at 1kHz)	56dB (○, △) 60dB (●, ▲)

## <PHONO SECTION>

Input Sensitivity (at 1kHz)	2.5 ± 0.5mV
Input Impedance (at 1kHz)	47kohm
Frequency Response (± 1.5dB)	100Hz~10kHz (○, △) 20Hz~20kHz (●, ▲)
S/N Ratio (5mV Input)	74dB (○, △) 76dB (●, ▲)
Cross Talk (8ohm Load, at 1kHz)	60dB
Separation (8ohm Load, at 1kHz)	55dB

## <FM SECTION>

Intermediate Frequency	10.7MHz
Frequency Range	87.5~108MHz
Usable Sensitivity	25.2dBf (○, △) 16.3dBf (●, ▲)
50dB Quieting Sensitivity (Stereo)	52.2dBf (○, △) 43.3dBf (●, ▲)
S/N Ratio (Stereo)	66dB (○, △) 67dB (●, ▲)
Distortion (Stereo)	0.5%
Frequency Response	30Hz~15kHz: ± 2.5dB
Image Rejection	32dB
IF Rejection	65dB
Stereo Separation (Stereo, at 1kHz)	37dB

## &lt;MW (○, △) AM (●, ▲) SECTION&gt;

Intermediate Frequency .....	450kHz
Frequency Range .....	522~1,611kHz (○, △) 520~1,710kHz (●, ▲)
Usable Sensitivity (20dB S/N) .....	62dB (○, △) 59dB (●, ▲)
S/N Ratio .....	45dB
Distortion .....	1.5% (○, △) 1% (●, ▲)
Image Rejection .....	28dB (○, △) 30dB (●, ▲)
Frequency Response .....	100Hz~2kHz:-3 ± 3dB
IF Rejection .....	40dB

## &lt;LW SECTION&gt; (○, △)

Intermediate Frequency .....	450kHz
Frequency Range .....	153~281kHz
Usable Sensitivity (20dB S/N) .....	78dB
Distortion .....	1.5%
Image Rejection .....	28dB
IF Rejection .....	25dB

## &lt;GENERAL&gt;

Power Supply .....	AC 120/220/240V, 50Hz (○, △) AC 120V, 60Hz (●, ▲)
Semiconductors .....	19 IC's, 58 Transistors, 59 Diodes, 3 Zener Diodes, 1 FET (○, △) 23 IC's, 63 Transistors, 56 Diodes, 3 Zener Diodes, 1FET (●, ▲)
Dimensions (W×H×D) .....	438 × 115 × 330mm
Weight .....	8kg

**Notes :** ○: For With Safety Regulations Version (Black Type) [AD],  
 △: For With Safety Regulations Version (Champagne Gold Type) [AD],  
 ●: For U.S.A. Version [UZ], ▲: For Canada Version [UQ], Others : Common.



## Connection Guidelines

### Before Making Connections

It is always wise to ensure that all AC power cords of the various components that you are interconnecting are unplugged from the wall outlets during the hook-up process. This will prevent any inadvertent damage to your speakers or receiver from incorrect control settings or connections.

### Interconnecting Leads

Be sure that left and right channel identification is correct when making interconnections. Most patch cords are colour coded with RED ends for the right channel and BLACK or WHITE ends for the left channel, to make this job easier.

In addition, all jacks on the rear of the R-341 have red centres for right channel and white for left channel. When making connections, follow the Reference Illustrations referring also to the descriptions for items #41 through #55 on pages 11 and 12.

### Speaker Connections

The following items should be observed carefully when connecting your speakers.

1. Be sure PHASING is correct by connecting the RED (+) and the BLACK (-) terminals of the R-341 to the RED (+) and BLACK (-) terminals of your speakers on each channel. Failure to do so will result in drastically reduced bass response and unstable, irregular stereo imaging.
2. To prevent the possibility of shorts, strip back the ends of the speaker leads about 1/2 inch and carefully twist the strands together. Loosen the speaker terminal knob by rotating it counterclockwise. Insert the twisted end and turn the knob clockwise to tighten.  
  
Inspect carefully to ensure that no frayed strands exist that may cause shorts.
3. It is recommended that 16 AWG gauge wire, or larger, be used to prevent losses. You may wish to consider some of the commercially available speaker cables that are specifically designed to improve the receiver to speaker interface.

### Note on the Signal Processor Jacks

- Keep the jumper bars inserted when the "SIGNAL PROCESSOR" jacks are not in use. If the jumper bars are removed, there will be no sound output.
- Remove the jumper bars only when connecting a graphic equalizer or surround amplifier to the "SIGNAL PROCESSOR" jacks.

### AC Power Cord

Insert the AC plug of the R-341 into appropriate wall outlet.


### AC Outlet Connection

The outlet (item #45) may be used for power connection of most of the equipment used with your R-341.

In general connect your CD player or Graphic Equalizer to the SWITCHED outlet.

**CAUTION:** When connecting equipment to the outlet, be sure not to exceed the maximum power rating of 200 Watts for the SWITCHED outlet.

### BUS LINE jack (Refer to illustration on page 5)

- To control "SYSTEM BUS" equipped models (such as a Luxman D-351 CD player and a K-351 tape deck) connect them to this jack.
- When interconnecting source units, the min phone cables may be inserted into either jack (the control signals are bidirectional, therefore no "IN OUT" protocol is required).
- Plug the AC power cords of each unit included in the "BUS" system into wall AC outlets.
- "SYSTEM BUS," identified by the symbol  printed on the carton and owner's manual of the unit, indicates the Luxman models that work with "BUS LINE" jacks on the rear panel.

### AM Antenna

An AM loop antenna comes packed with your R-341. Carefully unwrap and mount it to the rear panel and connect leads.

### FM "T" Type Antenna

Included also with your R-341, is an FM "T" type antenna. This type of antenna is simple and practical and will give adequate results in primary signal areas. To use it, unfold it and connect its centre leads to the DIN type connector on the rear of the receiver, using the 300 ohm to 75 ohm adapter. The antenna is designed to operate in a horizontal position, and may be attached to a nearby wall.

The R-341 is also capable of accommodating other types of cable, including 75-ohm coaxial cable (with DIN type connector). These types of cable are for use with outdoor antennas, which will be discussed next.

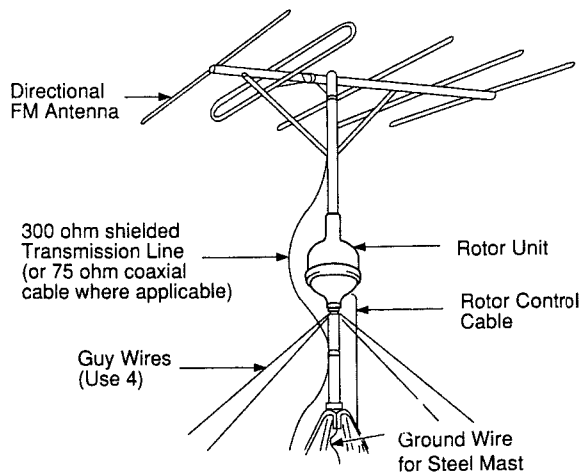
### Outdoor FM Antenna

As stated before, the supplied folded FM "T" type antenna will give satisfactory results in primary signal areas. However, if you are located in a fringe area where signals are weak, then an outdoor antenna will be necessary. Even if you live in a strong signal location, an outdoor directional antenna may be needed to eliminate "multipath" reflections.

Multipath reflections are responsible for much of the distortion and noise associated with poor FM reception. They occur when radio waves from the transmitter bounce off of nearby mountains and tall buildings. The reflected waves follow different, more round-about paths to your tuner and arrive slightly delayed and out of phase with the direct signal (hence, the term "multipath"). This causes distortion in the same manner that "ghost" images are generated on television.

The way to minimize multipath is to use a "beam type" antenna that can be aimed toward the FM transmitter and away from the multipath reflections. The best types of antennas to use are either a "Yagi" or "Log-Periodic" configuration with six or more elements designed expressly for FM reception.

If you want to receive stations from more than one general direction, then you will need a good quality antenna rotor system. This will enable you to point the antenna in the direction giving the least multipath interference, by means of a control box located near the receiver.



Another important factor is the type of lead-in wire to use. Unshielded lead-in wires, such as 300-ohm twin lead, can act as an omnidirectional antenna, and can cancel the directional benefit of your antenna. Therefore, we recommend using a coaxial 75-ohm cable at the antenna. This shielded cable effectively prevents the lead-in from contributing to multipath distortion.

If you decide to use 75-ohm coaxial cable, we recommend buying cable with DIN type connectors attached. These will fit the FM (75 ohm) terminal on the R-341.

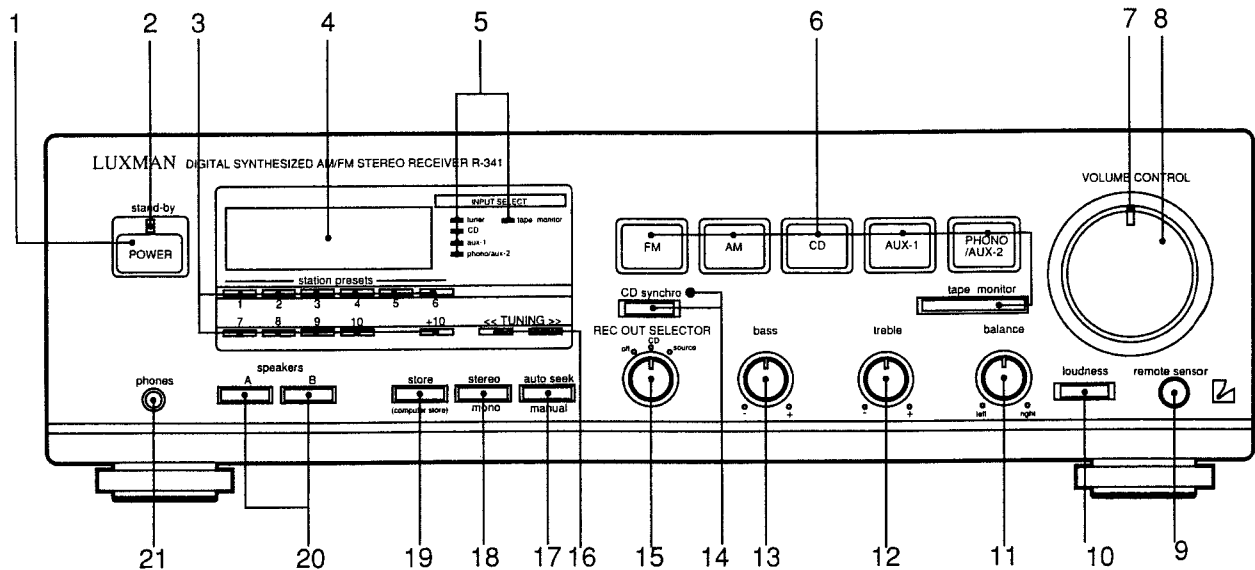
It is considered good practice to connect the antenna mast to an earth ground, both for reasons of safety and noise reduction.

For rural areas, it is recommended to consult a local dealer about installation and lightning arrester protection.

We don't recommend using master antenna systems, such as those found in flat buildings. Such systems are usually designed expressly for television reception and frequently suppress or reduce the quality of the FM signals before distribution.

# Controls and Switches

## Front Panel



### 1. "POWER" button

Pressing this button turns the unit on and off, along with other equipment that may be plugged into the rear panel switched AC outlet.

### 2. "stand-by" indicator

Lights up when the power button is turned off to show that the remote system is ready to receive a power ON command.

### 3. "station presets" buttons

A total of 20 AM (LW/MW) and/or FM stations may be placed into memory in any random order and recalled for instant play, with these buttons. Select previously stored preset stations by pressing the desired number 1 through 10. For presets 11 through 20, press the +10 button first, then 1 through 10. Each number thus selected will appear in the display just under the words "STATION PRESET."

### 4. Display

This display window shows the frequency of tuned AM (LM/MW) and FM stations. In addition, the station preset number, currently selected from memory, is displayed to the right of the station frequency.

### 5. "INPUT SELECT" indicators

The LED indicator for the selected input source will light up to tell which source is selected with the Input Select buttons (item #6).

### 6. Input Select buttons

Press one of these buttons to select any one of six sources; AM, FM, CD, AUX-1, PHONO/AUX-2 and tape.

### 7. Volume Indicator

The red LED on the knob will blink when the "VOLUME" buttons (item #38) and "MUTE" button (item #37) on the remote control are operated.

### 8. "VOLUME CONTROL"

Allows precision, low noise adjustment of volume level, both manually and by remote control. It is recommended that the volume control be set to a low position prior to power turn on and when switching between sources.

**9. "remote sensor"**

When using the hand held remote control, it must be pointed toward this sensor to activate operational functions.

**10. "loudness" button**

Depressing this button introduces a moderate boost of the very low and high frequencies when the volume control is set below the half-way position. This compensates for the human ear's characteristic at low listening levels.

**11. "balance" control**

Adjusts for unequal volume level between channels. Normally, with today's high quality sources, it is seldom necessary to move this control from its precision centre detent position.

**12. "treble" control**

This control will increase or decrease high frequency content in the program material. At the centre detent position, a flat frequency response results.

**13. "bass" control**

This control will increase or decrease low frequency content in the program material. At the centre detent position, a flat frequency response results.

**14. "CD synchro" button and indicator**

CD play and tape recording can be started simultaneously by simply pressing the "CD synchro" button. In addition the LED indicator will light.

---

**Notes:**

- CD Synchro only works with a BUS connected system.
  - The "REC OUT SELECTOR" switch (item #15) must be in the "CD" position.
- 

**15. "REC OUT SELECTOR"**

For selecting a recording source. When not in use, set it to the "off" position. When in the CD position, you may listen to any other source while recording from CD. Also, this switch must be in the CD position for CD Synchro recording.

**16. "TUNING" buttons (<<, >>)**

Allow manual up/down tuning and initiate auto tuning in the "auto seek" mode (see item #17).

**17. "auto seek and manual" button**

When depressed, this button activates the auto seek automatic tuning mode, in conjunction with the "TUNING" buttons (item #16), for AM (LW/MW) and FM operation.

In addition the "AUTO SEEK" indicator (item #22) will light.

**18. "stereo and mono" button**

This button selects either STEREO or MONO mode for FM listening. It works with the "STEREO/MONO" indicators (item #23).

**19. "store (computer store)" button**

Depressing this button will allow any tuned AM (LW/MW) or FM station to be stored in any one of the 20 AM/FM RANDOM STATION PRESET locations (see also item #3). If you wish to store a station that you have tuned, momentarily press this button. When the "STORE" indicator (item #26) comes on, press the preset button into which you wish to store it.

For automatic "computer store" of a series of FM or AM (LW/MW) stations, press this button for more than 1 second. When the "COMPUTER STORE" indicators (items #25 and 26) come on, press the preset number at which you want the storing operation to start. Stations will be sequentially stored in an upward direction into the presets beginning with the first AM or FM station tuned. For more details, refer to page 16.

**20. "speakers A and B" buttons**

Two sets of stereo speaker systems may be used with the R-341; A and B buttons corresponding with "SPEAKERS A and B" terminals (item #43) on the rear panel. You may choose independent or simultaneous operation of the two systems by using these buttons.

---

**Note:**

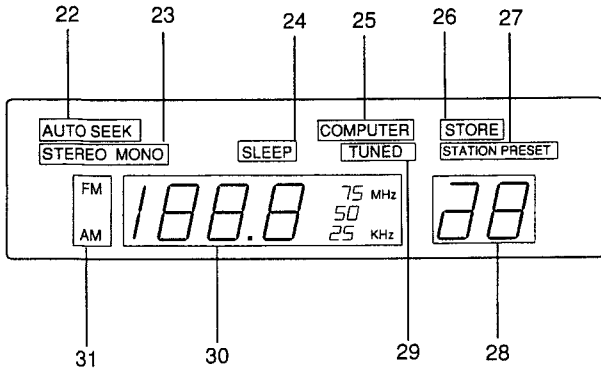
The impedance of each speaker system should equal or exceed 8 ohms when driving two sets at the same time.

---

**21. "phones" jack**

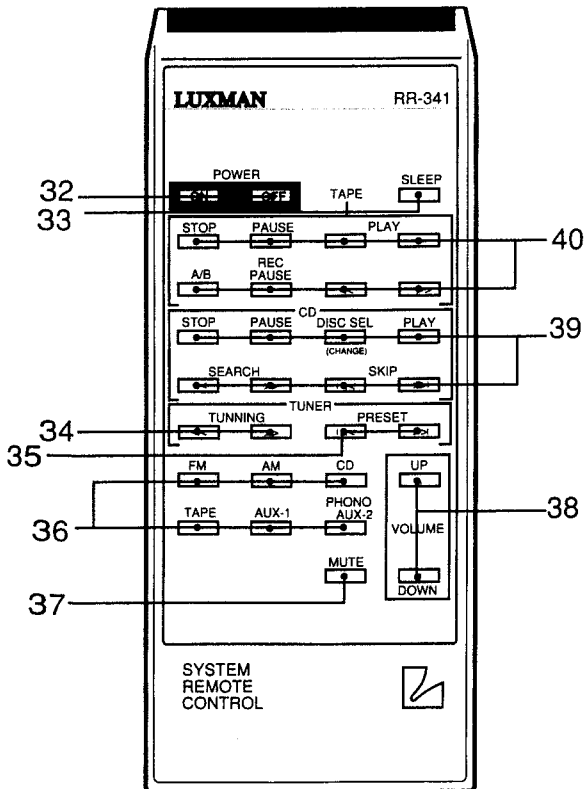
Connection of stereophonic headphones to this jack allows private listening. There is signal at the jack at all times. Placing the "speakers A and B" buttons (item #20) in the OUT position will allow private listening.

**Display**



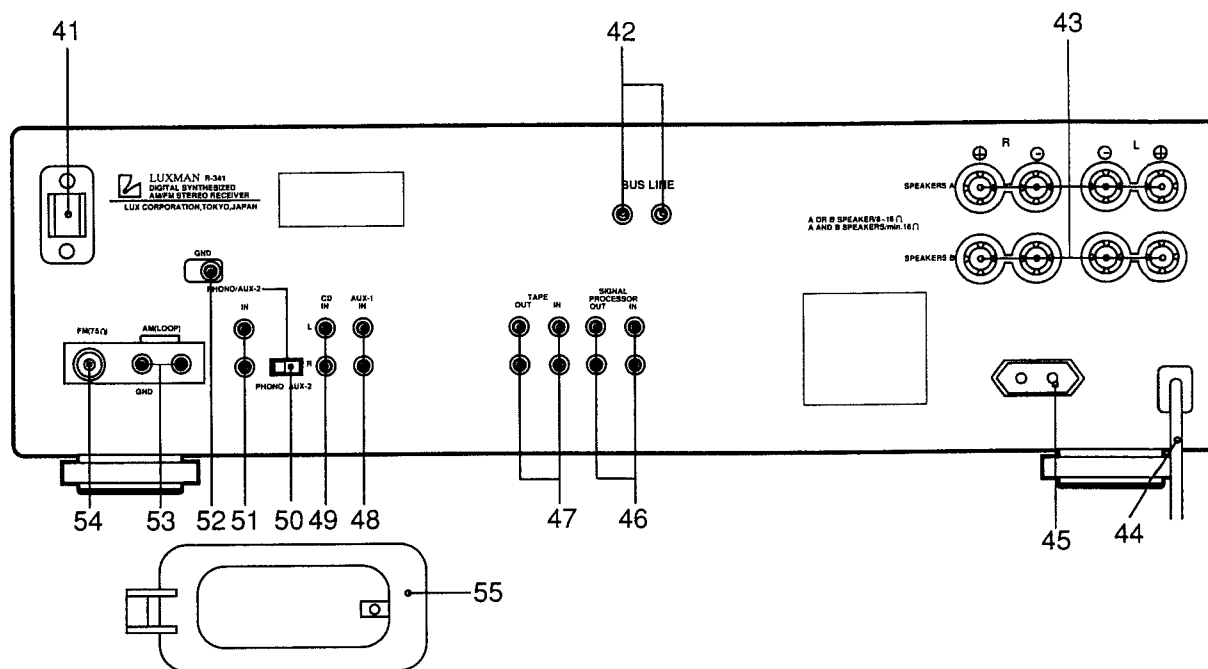
- 22. "AUTO SEEK" indicator
- 23. "STEREO MONO" indicator
- 24. "SLEEP" indicator (See page 18)
- 25. "COMPUTER" indicator
- 26. "STORE" indicator
- 27. "STATION PRESET" indicator
- 28. Preset No. indicator
- 29. "TUNED" indicator
- 30. FM, AM (LW/MW) Frequency display
- 31. FM, AM Band indicator

**Remote Control unit**



- 32. "POWER ON/OFF" buttons
- 33. "SLEEP" button (See page 18)
- 34. "TUNING" buttons (<<, >>)
- 35. "PRESET" buttons (|<<, >>|)
- 36. Input Selector buttons
- 37. "MUTE" button (See page 17)
- 38. "VOLUME UP/DOWN" buttons
- 39. CD Player Control buttons
- 40. Cassette Deck Control buttons

## Rear Panel

**41. Holder AM Antenna**

This holder is designed for easy mounting or removal of the AM LOOP ANTENNA. Align mating surfaces carefully and install with a firm push.

**42. "REMOTE CONTROL BUS LINE" jacks**

Use these jacks only with Luxman CD players and Tape Decks that are also equipped with BUS line jacks, such as the D-351 and the K-351.

When interconnecting these units with the R-341, the mini phone cables may be inserted into either of their two BUS jacks (the control signals are bidirectional, therefore no "IN OUT" protocol is required).

**43. "SPEAKERS A and B" terminals**

You may connect 2 pairs of stereo speaker systems to these terminals, one pair to the upper "A" terminals and a 2nd pair to the lower "B" terminals.

The speaker systems may be switched on and off by the front panel "speakers A and B" buttons (item #20).

**44. AC Power Cord**

Insert the AC plug of the R-341 into appropriate wall outlet.

**45. AC Outlet**

For convenient AC power connection of other audio component to your system, a SWITCHED outlet (200 watts max.) is available.

**46. "SIGNAL PROCESSOR IN and OUT" jacks**

For connection of a surround sound processor, an equalizer or other signal processor as desired.

**Note:**

Jumper bars are factory installed in these jacks. They need to be removed when connecting a processor. Retain for possible future reuse.

**47. "TAPE IN and OUT" jacks**

Connect the LINE IN and LINE OUT jacks of your audio tape deck to these OUT and IN jacks respectively.

**48. "AUX-1 IN" jacks**

Connect the audio output of a VCR, Video Disc Player, CD Player, Cassette Deck, etc. to the "AUX-1 IN" jacks of the R-341.

**49. "CD IN" jacks**

This set of jacks is for connection of a CD (compact disc) player. They may also be used for any other high level signal source as well.

**50. "PHONO/AUX-2" switch**

If a phono turntable is not required in the system, this switch allows the phono jacks to be used as an additional set of high level inputs. Move it to the "AUX-2" position for connection of an additional CD player, Tape deck, etc.

**CAUTION:** Be sure the volume control is set to minimum when setting this switch.

**51. "PHONO/AUX-2 IN" jacks**

A moving magnet (MM) type phono cartridge may be connected to these inputs. Also, they may be used as an additional set of high level inputs (see item #50).

**CAUTION:** When these jacks are used for high level inputs, ensure that the "PHONO/AUX-2" switch (item #50) is set to "AUX-2" to prevent possible damage to the receiver and speakers.

**52. "GND" terminal**

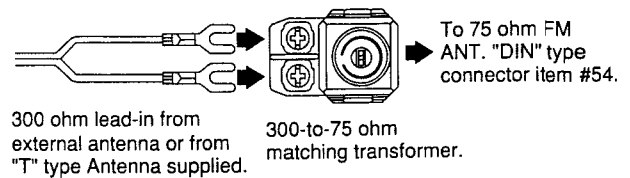
Connect the common (ground) lead of your phono turntable to this terminal.

**53. "AM (LOOP)" antenna terminals**

For connection of the leads of the AM Loop Antenna (item #55) supplied with the R-341.

**54. "FM (75  $\Omega$ )" terminal**

For connection of 75 ohm coaxial cable lead-in with "DIN" type connector, or a 300 ohm lead-in used with the 300-to-75 ohm adapter supplied. See diagram below.

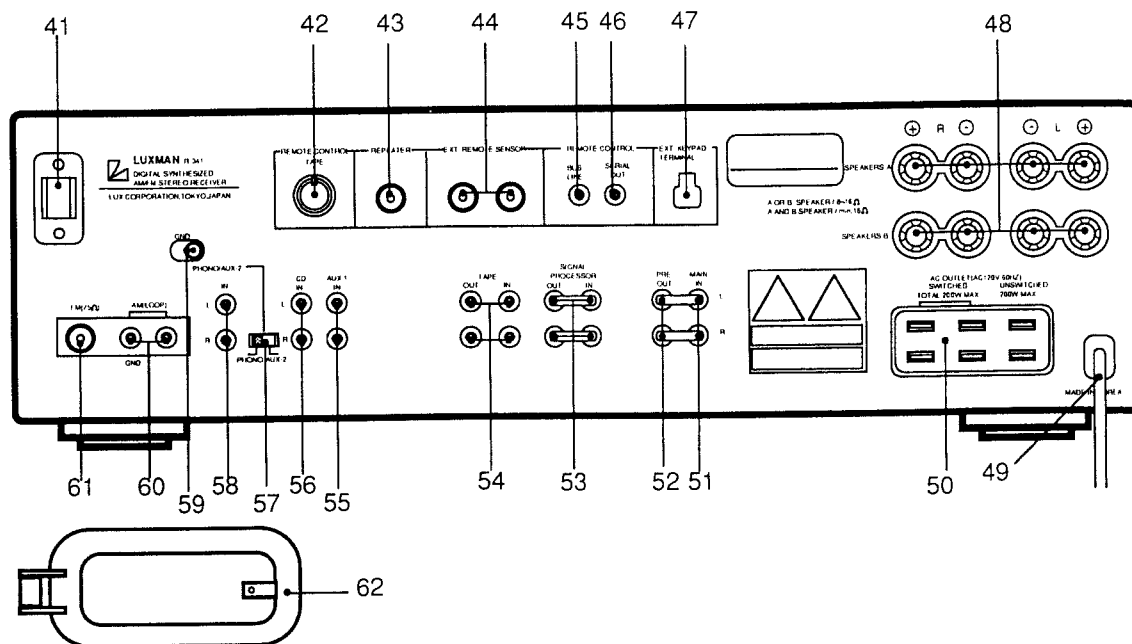
**55. AM Loop Antenna**

This antenna can be rotated on its holder (item #41) for maximum pick-up, or removed and placed elsewhere for best reception (within the limitation of its 23" lead length).



# Jacks and Terminals

## Rear Panel



### 41. Holder-AM Antenna

This holder is designed for easy mounting or removal of the AM Loop Antenna (item #62). Align mating surfaces carefully and install with a firm push.

### 42. "REMOTE CONTROL TAPE" DIN jack

For unified system remote control using Luxman cassette decks, all controlled from the one hand held remote supplied with the R-341.

To remote control a "DIN" equipped tape deck (such as a Luxman K-110, K-110W, etc.) connect it to this jack, and the audio leads to the TAPE IN and OUT jacks.

### 43. "REPEATER" jack

For connection of Luxman's remote control command repeater, RC-503.

### 44. "EXT. REMOTE SENSOR" jacks

These "F" type coaxial connectors are for connection of Luxman's RC-501 remote room sensor "eyes." This permits remote control of a complete R-341 system from other rooms.

### 45. "REMOTE CONTROL BUS LINE" jack

Use this jack only with Luxman CD players and Tape Decks that are also equipped with BUS line jacks, such as the D-351 and the K-351. When interconnecting these units with the R-341, the mini phone cables may be inserted into either of their two BUS jacks (the control signals are bidirectional, therefore no "IN OUT" protocol is required).

### 46. "REMOTE CONTROL SERIAL OUT" jack

For connection of Luxman's serial "Daisy Chain" unified remote control system, using Luxman models DZ-111, DZ-112, DZ-121, DZ-122, DC-113, DC-114 and future new models using the serial jacks system.

### Note:

Do not connect to both the "SERIAL REMOTE" and "BUS LINE" jacks simultaneously; connect to either the "SERIAL REMOTE" or "BUS LINE" jacks, according to the CD player model in use.

**47. "EXT. KEYPAD TERMINAL"**

For keypad operation in a remote room, connect this jack via a standard RJ-11 modular phone jack and 4 lead wire to the Luxman model RC-505 Keypad in-wall controller.

**CAUTION:** Do not connect the telephone line to this terminal.

**48. "SPEAKERS A and B" terminals**

You may connect 2 pairs of stereo speaker systems to these terminals, one pair to the upper "A" terminals and a 2nd pair to the lower "B" terminals.

The speaker systems may be switched on and off by the front panel "speakers A and B" buttons (item #20).

**49. AC Power Cord**

Insert the polarized plug of the R-341 into any 120 Volt AC, 60 Hz wall outlet. The wider contact side of the plug is the ground side.

**Note:**

See Reference Illustrations, page 5 for typical connections to all jacks and terminals (item 41 through 62).

**50. AC Outlets**

For convenient AC power connection of other audio and video components in your system, 2 SWITCHED outlets (total 200 watts max.) and 1 UNSWITCHED outlet (200 watts max.) are available. The wider opening of each outlet indicates the ground side of the polarized AC line.

**51. "MAIN IN" jacks**

Using both the "PRE OUT" (item #52) and "MAIN-IN" jacks, connect them to the correct inputs and outputs of satellite sub-woofer systems or other audio gear as desired.

**Note:**

Remove the jumper bars when using these and the "PRE OUT" jacks. Retain for future use.

**52. "PRE OUT" jacks**

Connect to the input jacks of external power amplifiers for multi-speaker or multi-room applications. The output level is controlled by the "VOLUME CONTROL" (item #8) and by the remote control "VOLUME UP/DOWN" buttons (item #38). The output level is 1 volt, referenced to 150 mV at the high level inputs, with the volume control at maximum.

**53. "SIGNAL PROCESSOR IN and OUT" jacks**

For connection of a surround sound processor, an equalizer or other signal processor as desired.

**Note:**

Jumper bars are factory installed in these jacks. They need to be removed when connecting a processor. Retain for possible future reuse.

**54. "TAPE IN and OUT" jacks**

Connect the LINE IN and LINE OUT jacks of your audio tape deck to these OUT and IN jacks respectively.

**55. "AUX-1 IN" jacks**

Connect the audio output of a VCR, Video Disc Player, CD Player, Cassette Deck, etc. to the "AUX-1 IN" jacks of the R-341.

**56. "CD IN" jacks**

This set of jacks is for connection of a CD (compact disc) player. They may also be used for any other high level signal source as well.

**57. "PHONO/AUX-2" switch**

If a phono turntable is not required in the system, this switch allows the phono jacks to be used as an additional set of high level inputs. Move it to the "AUX-2" position for connection of an additional CD player, Tape deck, etc.

**CAUTION:** Be sure the volume control is set to minimum when setting this switch.

**58. "PHONO/AUX-2 IN" jacks**

A moving magnet (MM) type phono cartridge may be connected to these inputs. Also, they may be used as an additional set of high level inputs (see item #57).

**CAUTION:** When these jacks are used for high level inputs, ensure that the "PHONO/AUX-2" switch (item #57) is set to "AUX-2" to prevent possible damage to the receiver and speakers.

**59. "GND" terminal**

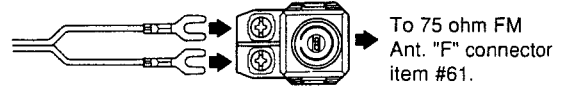
Connect the common (ground) lead of your phono turntable to this terminal.

**60. "AM (LOOP)" antenna terminals**

For connection of the leads of the AM Loop Antenna (item #62) supplied with the R-341.

**61. "FM (75  $\Omega$ )" terminal**

For connection of 75 ohm coaxial cable lead-in with "F" connector, or a 300 ohm lead-in used with the 300-to-75 ohm adapter supplied. See diagram below.



300 ohm lead-in from external antenna or from "T" type Antenna supplied. 300-to-75 ohm matching transformer.

**62. AM Loop Antenna**

This antenna can be rotated on its holder (item #41) for maximum pick-up, or removed and placed elsewhere for best reception (within the limitation of its 23" lead length).

## Operation Guidelines

The following guidelines assume that all connections have been made according to the "Reference Illustrations".

### Power and Source Switching

To prevent the possibility of excessive, sudden sound levels, it is recommended that the volume control be placed at a low level position each time the power button is turned on or when switching between sources by the INPUT SELECTOR.

### Tape Recording Operations

To make a tape recording of any source, proceed as follows:

1. Press the Input Select button (item #6) for the source you wish to record.
2. Rotate the "REC OUT SELECTOR" (item #15) to the "source" position.
3. The source signal will now be fed to the tape deck. Follow the recording instructions for the tape deck in use.
4. If you have a 3 head deck, you can monitor the actual recording by depressing the "tape monitor" button (item #6) on the R-341.
5. When recording from a CD player, use the CD position. This allows you to listen to any other source while recording a CD.

### Tape Playback

1. Press the "tape monitor" button (item #6).
2. Operate the tape deck.

### FM/AM Tuner Operations

The R-341 incorporates several tuning methods to provide ease, yet great flexibility in station selection and use. Proceed as follows:

#### Auto Tuning

1. Press the "AM/FM" select button (item #6) to indicate the desired band, "FM or AM (LW/MW)" in the display.
2. Press the "auto seek" button (item #17) to indicate "AUTO SEEK" in the display.
3. Press the "TUNING" buttons (item #16) to select the desired broadcast station.
  - When a station is tuned in, "TUNED" is indicated.
  - When a stereo program is tuned in, "TUNED" and "STEREO" are indicated.
  - To tune in a station with weak signals, press the "auto" button to turn off the "AUTO SEEK" indicator. Then press "TUNING" buttons (item #16).

#### Notes:

- Be sure to press the "stereo and mono" button (item # 18) to receive a stereo program.
- If noise is heard while listening to FM or AM (LW/MW) broadcasts, it may be necessary to turn off the CD player, video disc player or TV.

### Station Preset Operation

A total of 20 AM/FM stations can be stored in any order in preset numbers 1 to 20.

#### Auto "computer store"

If you wish to have the internal computer of the R-341 store a series of stations for you, proceed as follows:

1. Select AM (LW/MW) or FM as desired.
2. Press the "TUNING" buttons (item #16) to the frequency of the station from which you wish to have the computer store operation begin.
3. Press the "store (computer store)" button (item #19) for more than 1 second. "COMPUTER STORE" will appear in the display.
4. Press "station presets" button (item #3) within 7 seconds.

The tuner will now scan upward and store stations until the 20th preset location is filled. At this point the operation stops, or it will stop previous to this if there are insufficient stations in your reception area to fill all locations.

You may also start the computer store operation at any station preset location, such as #6 or #14. Just press such locations immediately after pressing the computer store button. Remember, auto store will not go beyond the 20th location; it will not wrap around to the #1 position.

#### Manual "Store"

1. Tune in a desired station as described in "Auto Tuning."
2. Press the "store" button (item #19) for less than 1 second. The "STORE" indicator will show for 7 seconds in the display.
3. Select and press a desired preset number between 1 and 20 (item #3).

#### Station Recall

Press the preset number of the desired station with the "station presets" buttons (item #3).

#### Note:

When a previously stored "station presets" button (item #3) is pressed, the input selector switch will automatically go to the "TUNER" position.

If the displayed station preset number is chosen by a "station presets" button, the input selector switch will remain on the current source.

#### To Turn Power ON or OFF

Press "POWER" buttons (item #32).

#### Operating the R-341 Receiver

- To select a desired source, press a source button (item #36), FM, AM, CD, TAPE-1, AUX-1, PHONO/AUX-2.
- To turn up the volume, press "VOLUME UP" button (item #38).
- To turn down the volume, press "VOLUME DOWN" button (item #38).
- To mute the sound temporarily, press "MUTE" button (item #37).
- To restore the sound, press it again. (During muting, the volume indicator blinks.)

**Tuning in a station**

- 1.) Press Input Selector buttons (item #36) to select FM or AM (LW/MW).
- 2.) Press "TUNING" buttons (item #34) to tune in a station.

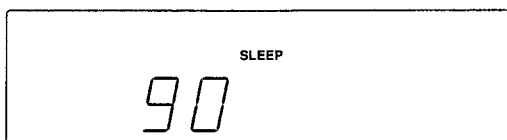
**Recalling a preset station**

Press "PRESET" buttons (item #35) to call up the preset stations in any order.

**Setting the Sleep Timer**

The sleep timer will turn the system off after a preset time has passed. The timer can be set for up to 90 minutes in 10 minute decrements.

- 1.) Press the "SLEEP" button (item #33) while receiving a station or while playing any source.



The system will turn off after about 90 minutes.

- 2.) Press the "SLEEP" button repeatedly until the desired time is displayed. Each time the "SLEEP" button is pressed, the time indication changes as follows:

→ 90 → 80 → 70 → 60 → 50 → 40 → 30 → 20 → 10 → no indication →

During sleep timer operation, the display shows the remaining time in 1 minute decrements. The power will be turned off when 0 is reached.

- To cancel the sleep timer, press the "SLEEP" button repeatedly until the "SLEEP" indicator goes off.
- To change the sleep time, press the "SLEEP" button repeatedly until the desired time is displayed.

**Bus System Operations**

Products connected to the "BUS LINE" jack allow following operations from the RR-341 remote control unit.

**Automatic Source Switching and Play of Music Sources**

When a source button on the RR-341 is pressed, the corresponding source unit will automatically be placed in PLAY mode and be heard. Similarly, when a play button is pressed on a source unit or the tuning or station preset buttons pressed on the receiver, the input source selector on the R-341 will automatically be switched to the corresponding source. This feature works only with Luxman CD players and Tape Decks that are equipped with BUS line jacks.

**Operating the Cassette Deck**

The following operations are possible

To start playback	>
To start reverse playback	<
To fast forward to the right/rewind to the right	>>
To fast-forward to the left/rewind to the left	<<
To music search to the right	>>
To search to the left • Each time a >> or << button is pressed, a track is added. (Up to 8 tracks in both directions.)	> or < ↓ <<
To select deck A or B	A/B
To stop playback or recording	STOP
To set the cassette deck to recording pause mode	REC PAUSE
To record • Press the < or > button, use direction that is the same as that indicated by the tape direction indicator on the tape deck.	REC PAUSE ↓ < or >

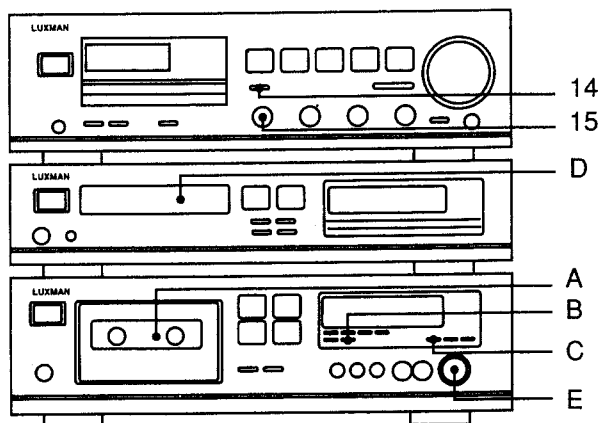
### Operating a CD Player

The following operations are possible.

To start play	PLAY
To stop play	STOP
To stop play temporarily	PAUSE
To skip tracks in forward direction	>>
To skip tracks in backward direction	<<<
To search a track in forward direction	>>
To search a track in backward direction	<<<
To select a disc in a CD changer	DISC SEL ↓  <<< >>>

### "CD Synchro" Recording

When the R-341 is used with BUS line equipped source units, such as the Luxman D-351 CD player and K-351 cassette tape deck, synchronized start/record, pause and stop functions are possible when making recordings of CDs with the press of a single button. For instance, when the "CD synchro" button (item #14) on the R-341 is pressed, the K-351 cassette deck will go into record mode and the D-351 begins playing at the same time.



Use the following procedure:

1. Set the "REC OUT SELECTOR" (item #15) to "CD."
2. Insert a tape for recording into the deck (item #A in a previous diagram).
3. Set the REVERSE MODE selector switch (item #B), in the single reverse position, if the tape deck is so equipped.

4. Select the Dolby NR mode with the "DOLBY NR" switch (item #C).

	DOLBY NR ON/OFF button	B/C button
To record in Dolby B NR mode	■ ON (depressed)	■ B (released)
To record in Dolby C NR mode	■ ON (depressed)	■ C (depressed)
To record without Dolby NR mode	■ OFF (released)	Any position

5. Place the disc in the CD player (item #D). Recordings can be made to fit the length of the tape used, if your CD player has an editing function. For further details, refer to the manual of the CD player.
6. Turn "REC LEVEL" control (item #E) to rec and adjust the recording level.
7. Press "CD synchro" button (item #14) of the R-341. CD play and tape recording will start simultaneously. The recording level is indicated by the level indicator. When +3 lights up on music peaks, the level is set appropriately.
8. To stop synchronized recording, press the STOP button on the cassette deck or CD player.

#### Notes:

- To record on both sides start with the frontside. Recording cannot be continued from the reverse side to the front side. Therefore, when the recording on the reverse side is completed, it stops.
- Recording will not start if the playback button for the opposite direction is pressed.
- Be sure to advance past the leader tape before recording. Otherwise, the beginning of the CD may not be recorded.
- Location of the switches will be different depending upon the models connected, so perform operations by referring to the Owner's Manual for each model.

### Remote Operations

For reliable operation, use the hand-held remote control within the basic dimensional area.

### Battery Replacement

1. Open the battery compartment cover on the rear of the remote control unit. The cover should open easily if you press on it with your thumb and slide it in the direction of the arrow.
2. Place two "AAA" size dry batteries in the battery compartment in accordance with the diagram in the compartment, then replace the cover.

Incorrect use of batteries may lead to leakage or rupture. Be sure to follow these guidelines:

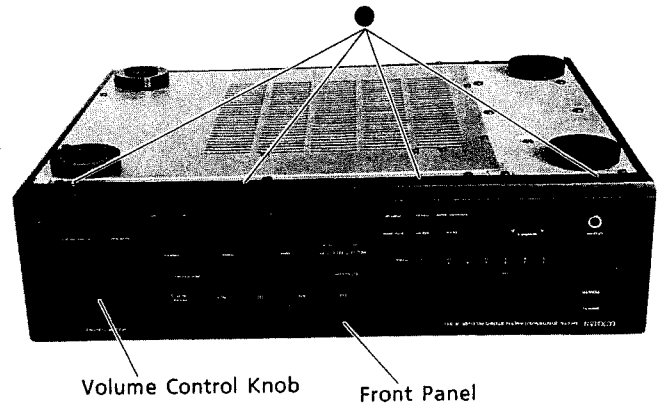
- A. Always insert batteries into the battery compartment correctly matching the positive (+) and negative (-) polarities as shown in the diagram inside the compartment.
- B. Never mix new and used batteries together.
- C. Both rechargeable and non-rechargeable batteries are available. Be sure to use your batteries in accordance with the instructions provided on the cells.



# Disassembly Instruction

## 1. Removal of Front Panel

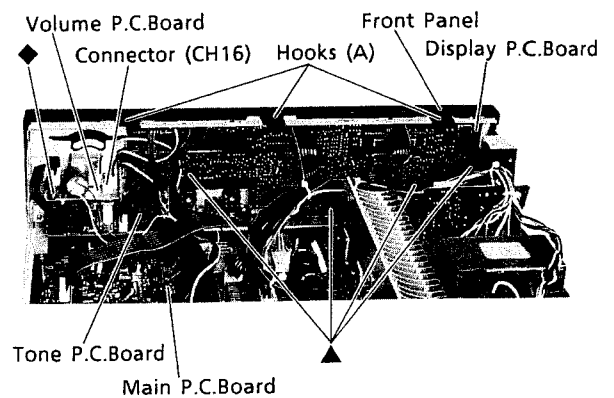
- (1) After removal of Top Cover, remove one connector (CH16) as shown in Figure 2.
- (2) Remove the Volume Control Knob as shown in Figure 1.
- (3) Remove four screws marked "●" and three Hooks (A) as shown in Figures 1 and 2.



<Figure 1>

## 2. Removal of Volume P.C.Board

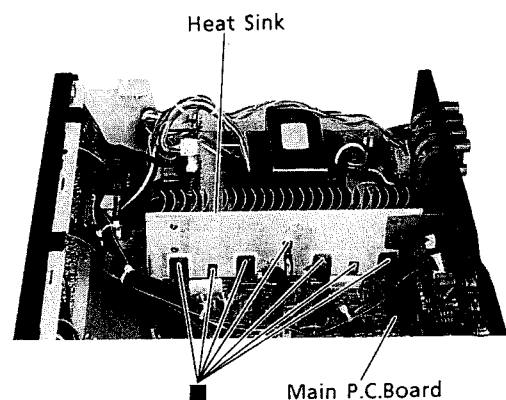
- (1) After removal of Front Panel, remove one screw marked "◆" and Nut & Washer (C) as shown in Figures 2 and 4.
- (2) Disconnect all wires from the Volume P.C.Board.



<Figure 2>

## 3. Removal of Display P.C.Board

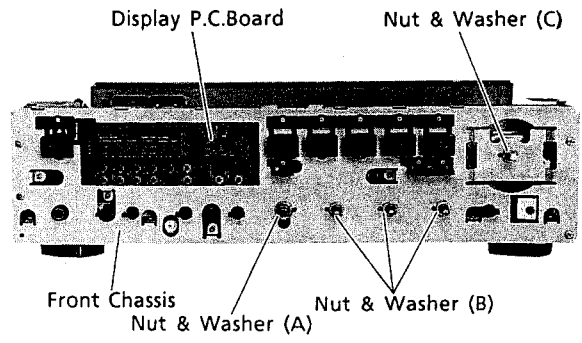
- (1) After removal of Volume P.C.Board, remove four screws marked "▲" and Nut & Washer (A) as shown in Figures 2 and 4.
- (2) Disconnect all wires from the Display P.C.Board.



<Figure 3>

#### 4. Removal of Tone P.C.Board

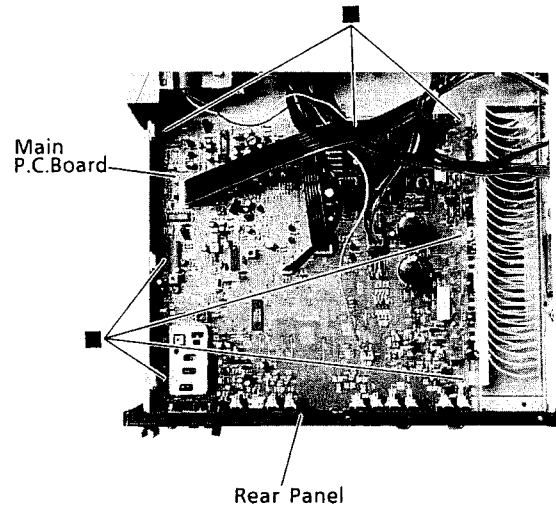
- (1) After removal of Display P.C.Board, remove Nut & Washer (B) as shown in Figure 4.
- (2) Disconnect all wires from the Tone P.C.Board.



<Figure 4>

#### 5. Removal of Main P.C.Board

- (1) After removal of Tone P.C.Board, remove fourteen screws marked "■" as shown in Figures 3 and 5.
- (2) Disconnect all wires from the Main P.C.Board.



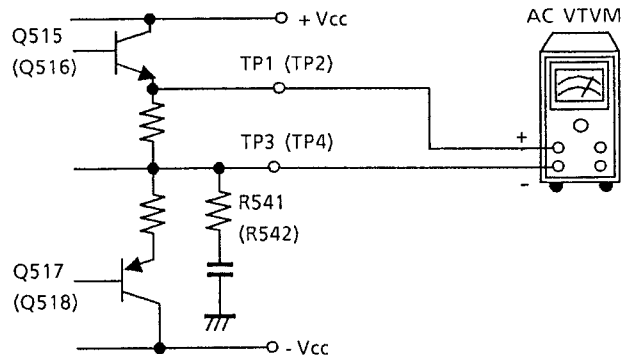
<Figure 5>

# Adjustment Procedures

## 1. Audio Section Adjustment

### (1) Idling Current Adjustment

#### ① Connection Diagram



<Figure 6>

#### ② Adjustment Method

- a. Conduct ageing by setting the main volume control (VR301) at the minimum position.
- b. Adjust VR501 (VR502) to obtain 2mV output voltage.

## 2. FM Tuner Section Adjustment

### (1) Adjustment Conditions

- |                                   |                         |
|-----------------------------------|-------------------------|
| ① Standard Antenna Input .....    | 65dBf (75ohm)           |
| ② Standard Modulation, MONO ..... | Mod. -Frequency : 1KHz  |
|                                   | Deviation : 75KHz       |
| STEREO .....                      | Mod. -Frequency : 1KHz  |
|                                   | Main (L + R) : 68.25KHz |
|                                   | Pilot : 6.75KHz         |
| ③ Test Frequency .....            | 98.1MHz                 |
| ④ Output Terminal .....           | Tape Rec-Out (10Kohm)   |

### (2) DET - Coil Adjustment

- ① Apply the standard modulation, mono signal from SSG(65dBf) to the ANT terminal.
- ② Turn on the AUTO SEEK mode.
- ③ Adjust T102 so that the total harmonic distortion level becomes minimum.

### (3) Stop Level Adjustment

- ① Apply the standard modulation, mono signal from SSG to the ANT terminal.
- ② Set the antenna input level at 33dBf.
- ③ Activate the AUTO SEEK function and adjust VR102 so that the AUTO SEEK function stop with the SSG input frequency.
- ④ Check the AUTO SEEK function both in the up and down directions.
- ⑤ The antenna input level to stop the AUTO SEEK function should be within the following range.  
40.2 ± 6dBf

## (4) Stereo Separation Adjustment

- ① Apply the standard modulation, stereo signal to the ANT terminal.
- ② Set the modulation mode of MPX signal Generator to the L or R channel, then adjust VR104 so that the signal leakage from the signal output channel to the other channel becomes minimum.
- ③ Switch the modulation mode to the other channel and check in the same manner as above step to confirm the values for both the L and R channels are almost same.

## (5) MPX Coil Adjustment

- ① This adjustment is required only when the 19KHz signal leakage level is high.
- ② Make B.P.F (200Hz~15KHz) flat.
- ③ Apply the standard modulation, stereo signal (65dBf) to the ANT terminal.
- ④ Apply only, the pilot signal (19KHz) from MPX signal generator, then measure the leakage level of the pilot signal to the TAPE REC OUT terminal.
- ⑤ If the leakage level is much different from  $\leq -60\text{dB}$ , adjustment is required.
- ⑥ Adjust L105 (L) and L106 (R) to minimize the leakage.

## 3. AM Tuner Section Adjustment (AM : ●, ▲ MW / LW : ○, △)

## (1) Adjustment Conditions

- |                                |  |
|--------------------------------|--|
| ① Standard Antenna Input ..... | Refer to the followings.                   |
| ② Standard Modulation .....    | Mod. Frequency : 400Hz<br>Mod. Ratio : 30% |
| ③ Adjustment Frequency .....   | Refer to the followings.                   |
| ④ B.P.F .....                  | 200Hz~15KHz                                |

## (2) IF Adjustment

- ① Apply the field strength of standard adjustment conditions to the LOOP - ANT terminal.
- ② Set the frequency of SSG to 1,000KHz.
- ③ Tune to 1,000KHz and adjust T101 for the maximum output.
- ④ Measure the selectivity and confirm that it is within  $\pm 10\text{KHz}$ .
- ⑤ If a sweep IF scope is available, look at the IF waveform and adjust to obtain symmetric waveform with the central IF frequency.
- ⑥ Repeat the above adjustment steps until satisfactory results are obtained.

## (3) Frequency Range Adjustment (AM : ●, ▲ MW : ○, △)

- ① Apply the field strength of standard adjustment conditions to the LOOP - ANT terminal.
- ② Set the frequency of SSG to 520KHz. (●, ▲)
- ③ Set the frequency of SSG to 603KHz. (○, △)
- ④ Connect the hot terminal of DC Voltage Meter to TP 5 and the cold terminal to GND.
- ⑤ Tune to 520KHz and adjust L104 to obtain 1V. (●, ▲)
- ⑥ Tune to 603KHz and adjust L104 to obtain  $2 \pm 0.1\text{V}$ . (○, △)
- ⑦ Set the frequency of SSG to 1,710KHz. (●, ▲)
- ⑧ Set the frequency of SSG to 1,404KHz. (○, △)
- ⑨ Tune to 1,710KHz and adjust VC102 to obtain 9V. (●, ▲)
- ⑩ Tune to 1,404KHz and adjust VC102 to obtain  $6.5 \pm 0.1\text{V}$ . (○, △)
- ⑪ Repeat the above adjustment steps until satisfactory results are obtained.

Notes : ○ : For With Safty Regulations Version (Black Type) [AD],  
 △ : For With Safty Regulations Version (Champagne Gold Type) [AD],  
 ● : For U.S.A. Version [UZ], ▲ : For Canada Version [UQ], Others : Common.

## (4) Tracking Adjustment

- ① Apply the field strength of standard adjustment conditions to the LOOP - ANT terminal.
- ② Set the frequency of SSG to 600KHz. (●, ▲)
- ② Set the frequency of SSG to 999KHz. (○, △)
- ③ Tune to 600KHz and adjust L102 for the maximum output. (●, ▲)
- ③ Tune to 999KHz and adjust L102 for the maximum output. (○, △)
- ④ Set the frequency of SSG to 1,400KHz. (●, ▲)
- ⑤ Tune to 1,400KHz and adjust VC103 for the maximum output. (●, ▲)

## (5) Stop Level Adjustment

- ① Apply the field strength of standard adjustment / modulation conditions to the LOOP - ANT terminal.
- ② Set the frequency of SSG to 1,000KHz. (●, ▲)
- ② Set the frequency of SSG to 999KHz. (○, △)
- ③ While the AUTO SEEK function is being operated, adjust VR101 so that the AUTO SEEK function will stop with the input frequency of SSG.
- ④ Check the AUTO SEEK function both in the up and down directions.
- ⑤ The Auto Stop level should be within the following range :  
60 ± 6dB / m

## (6) Frequency Range Adjustment (LW : ○, △)

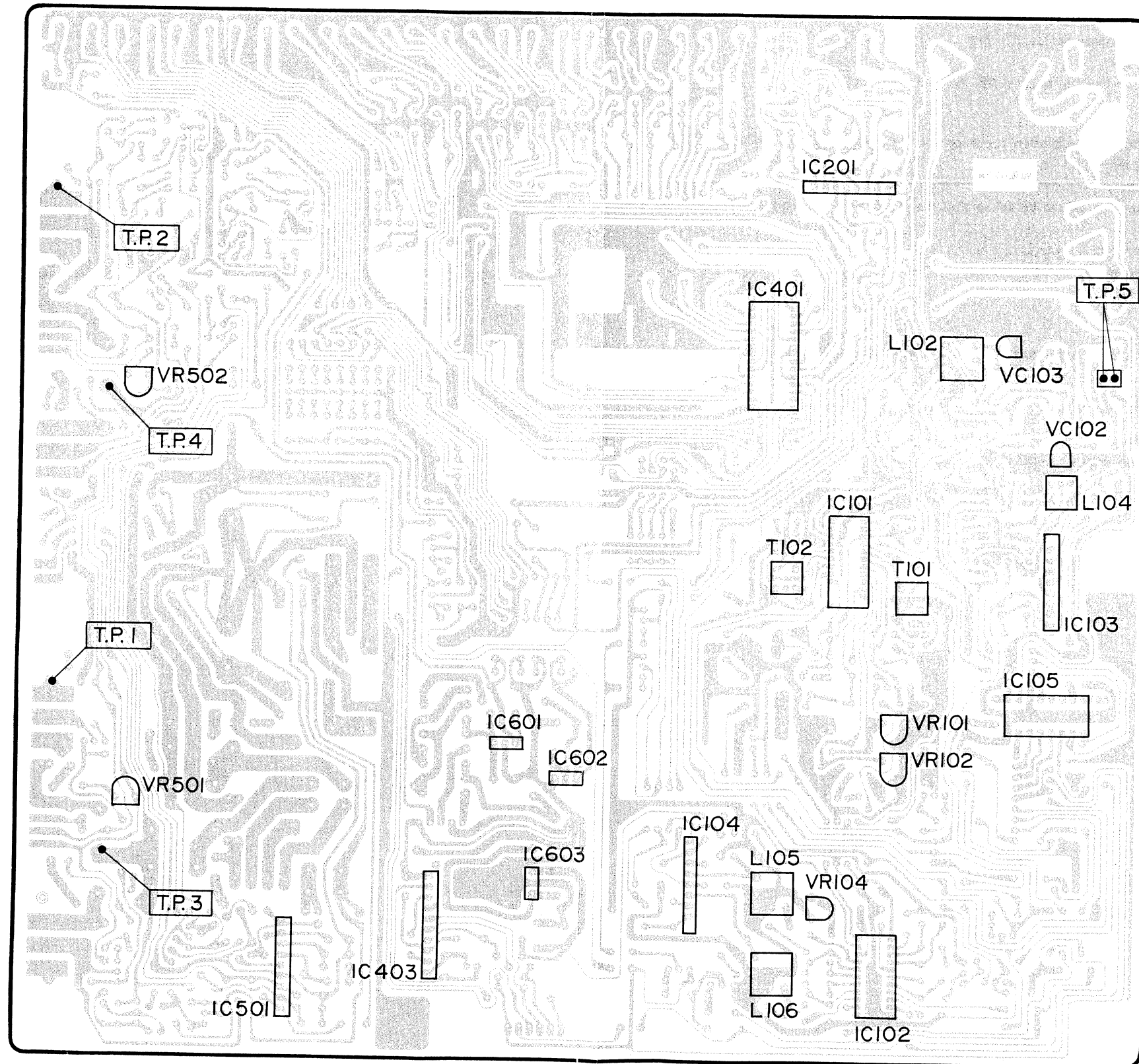
- ① Apply the field strength of standard adjustment / modulation conditions to the LOOP - ANT terminal.
- ② Set the frequency of SSG to 170KHz.
- ③ Tune to 170KHz and adjust L103 to obtain 2.5V.
- ④ Set the frequency of SSG to 260KHz.
- ⑤ Tune to 260KHz and adjust VC101 to obtain 5.2V.
- ⑥ Repeat the above adjustment steps until satisfactory results are obtained.

## (7) Tracking Adjustment (LW : ○, △)

- ① Adjust the ANT - COIL (L101).
- ② Set the frequency of SSG to 210KHz.
- ③ Tune to 210KHz and adjust L101 for the maximum output.

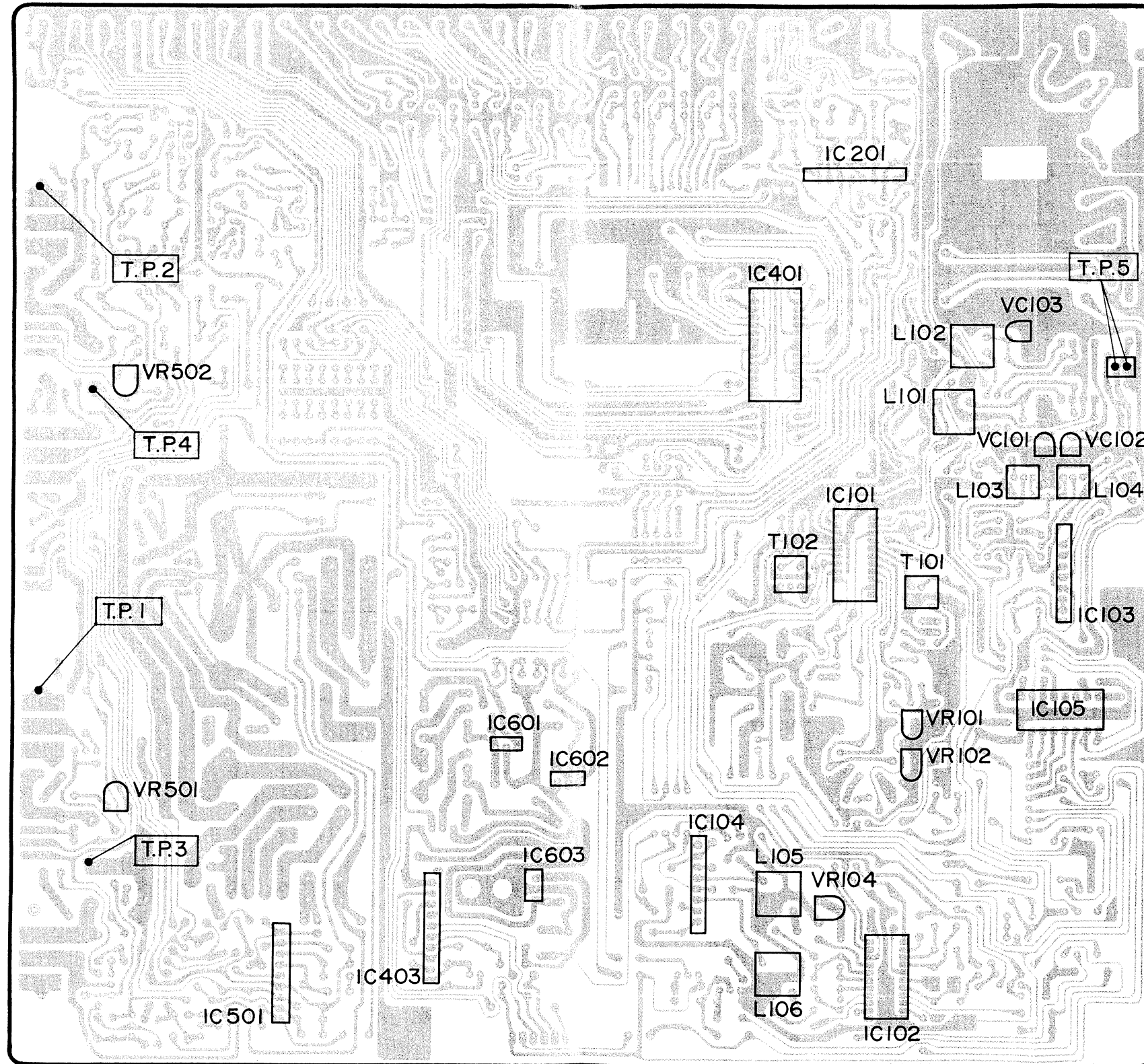
Notes : ○ : For With Safty Regulations Version (Black Type) [AD],  
 △ : For With Safty Regulations Version (Champagne Gold Type) [AD],  
 ● : For U.S.A. Version [UZ], ▲ : For Canada Version [UQ], Others : Common.

### Adjustment Locations <UZ/UQ Model only>



Main P.C.Board (Component Side)

### Adjustment Locations <AD Model only>

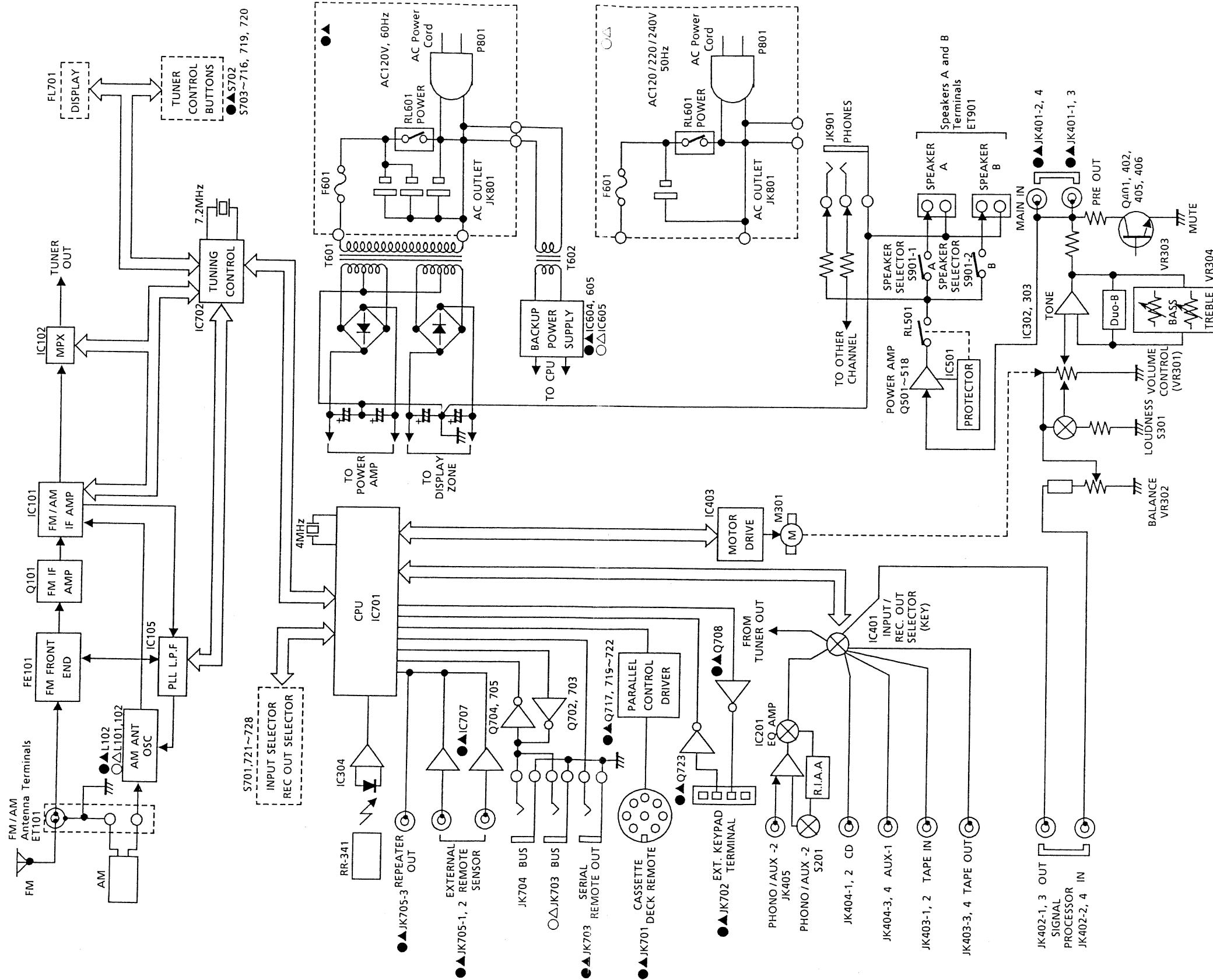


Main P.C.Board (Component Side)

# Block Diagram

R - 341

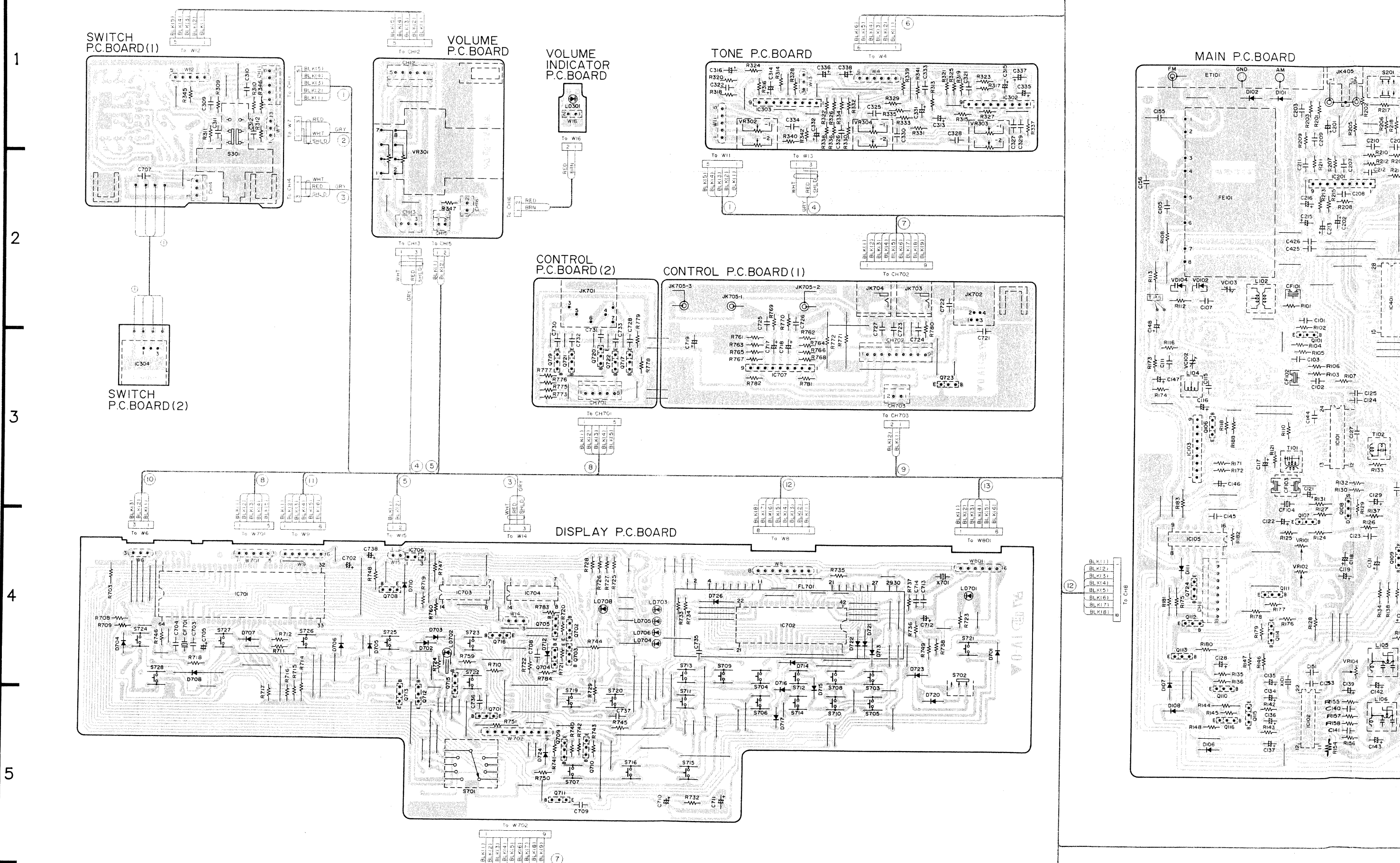
R - 341



Notes : ○ : For With Safety Regulations Version (Black Type) [AD],  
 △ : For With Safety Regulations Version (Champagne Gold Type) [AD],  
 ● : For U.S.A. Version [UZ], ▲ : For Canada Version [UQ], Others : Common.



# Parts-Layout on P.C.Boards and Wiring Diagram <UZ/UQ Model only>

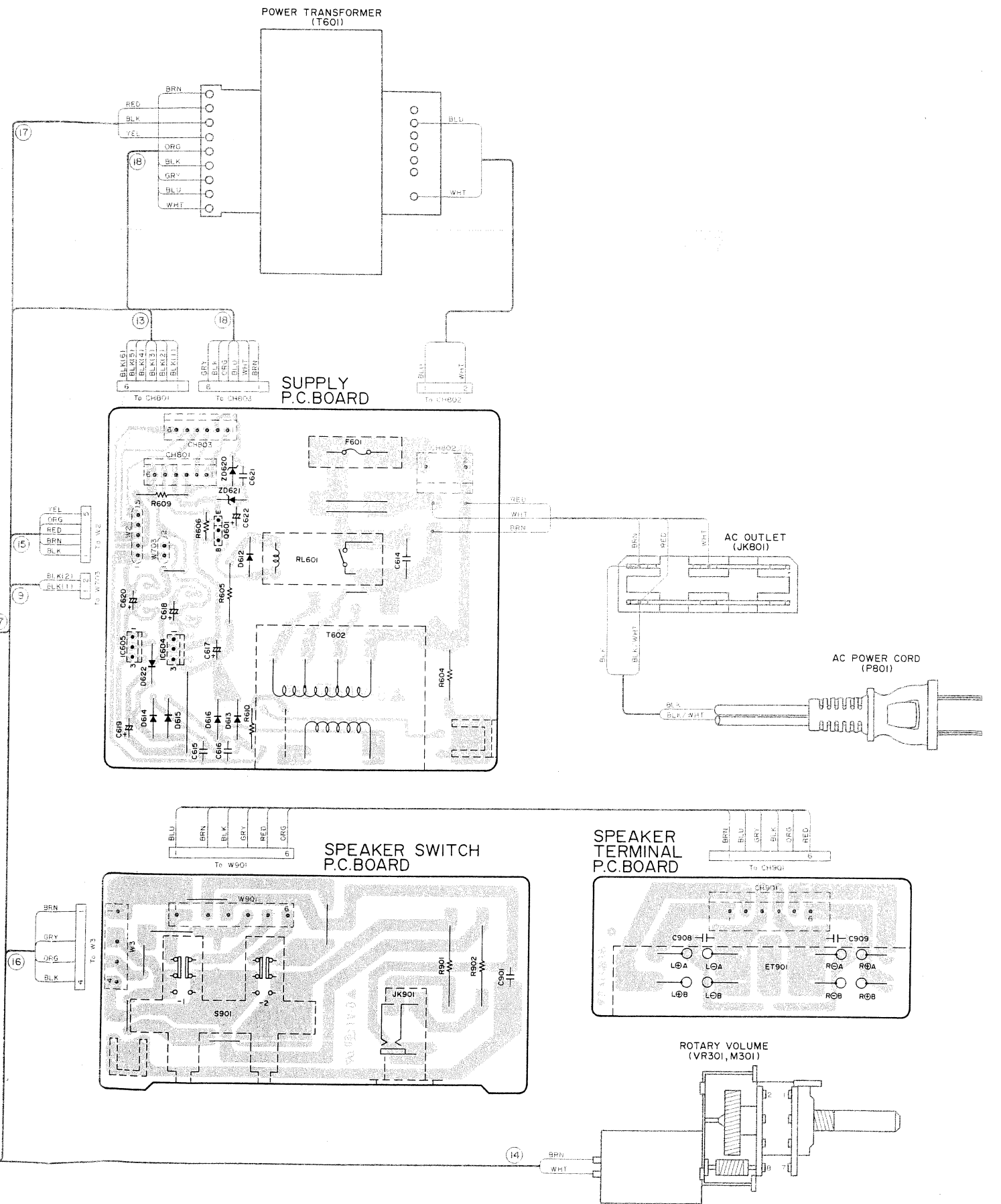
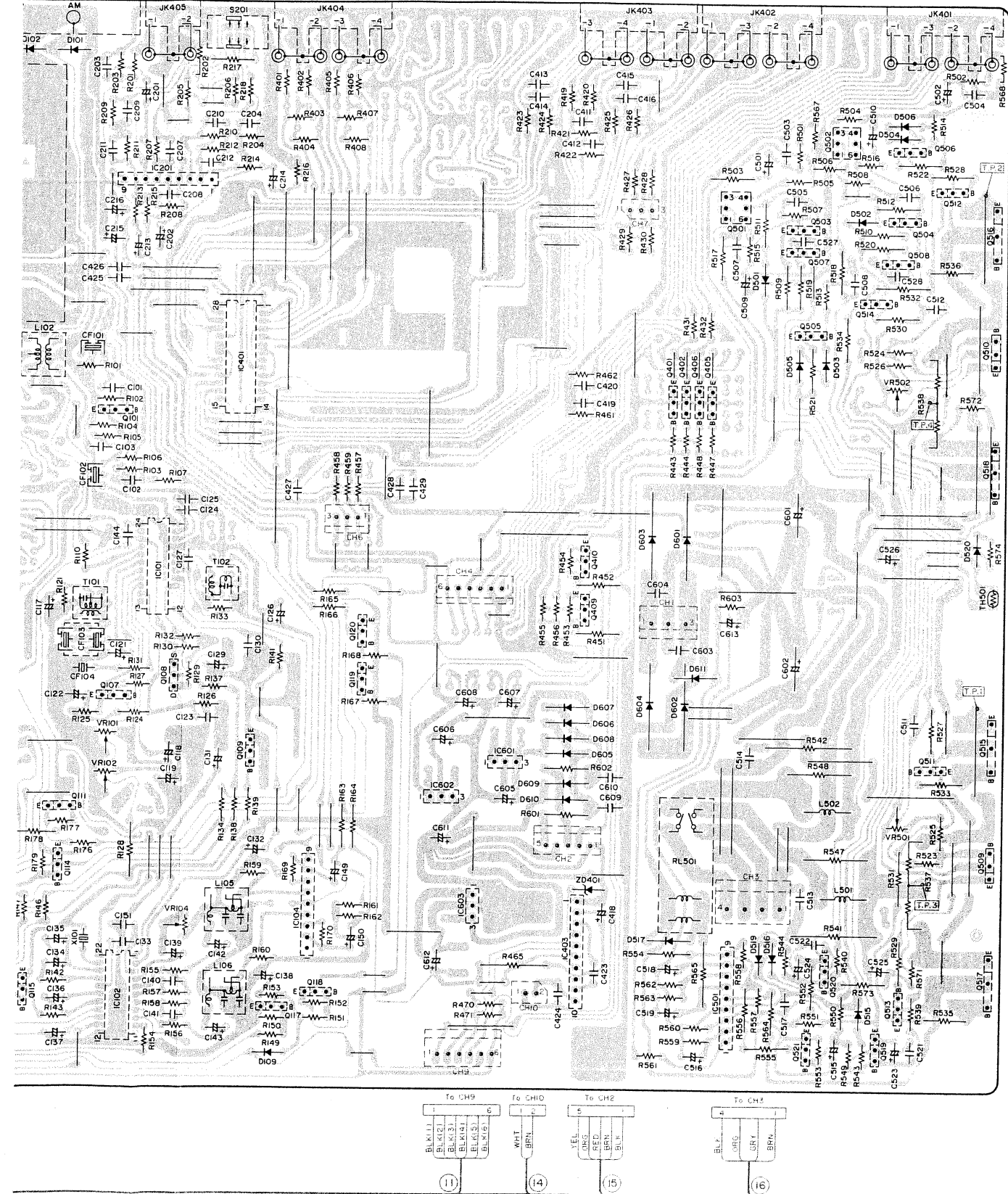


A | B | C | D | E | F | G | H

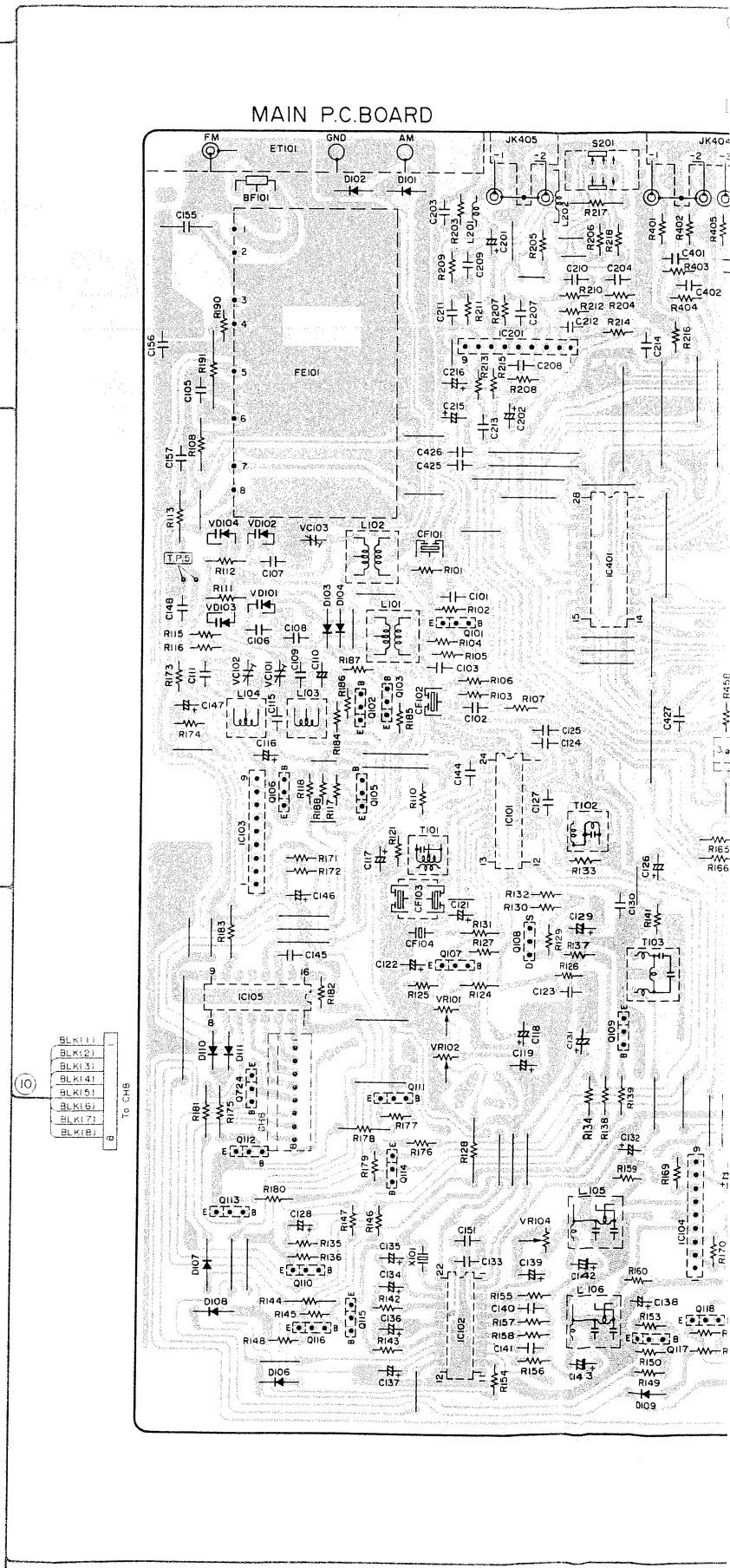
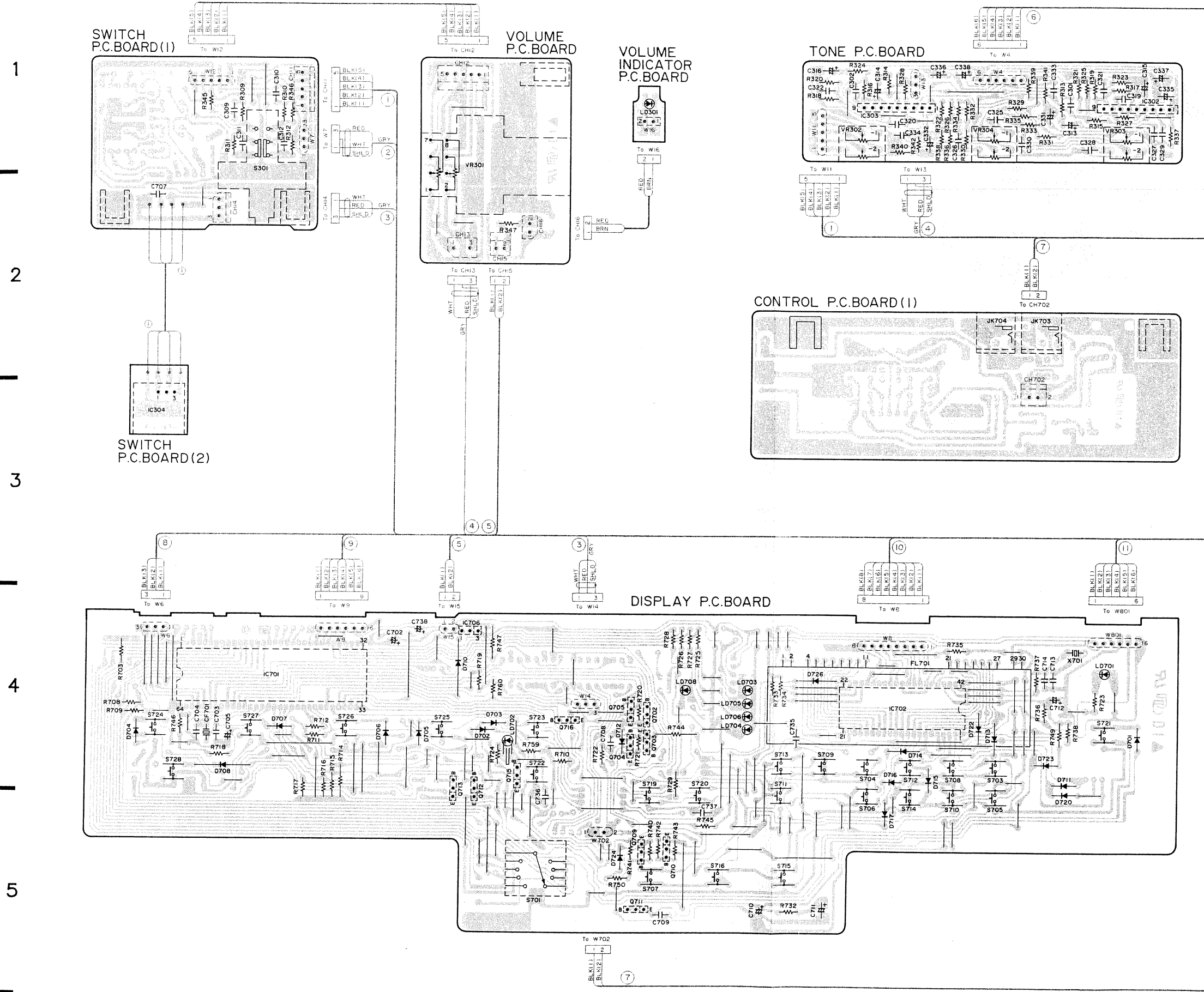
All P.C. Boards viewed from foil side.

Blue Pattern: Foil Side Pattern.

BOARD



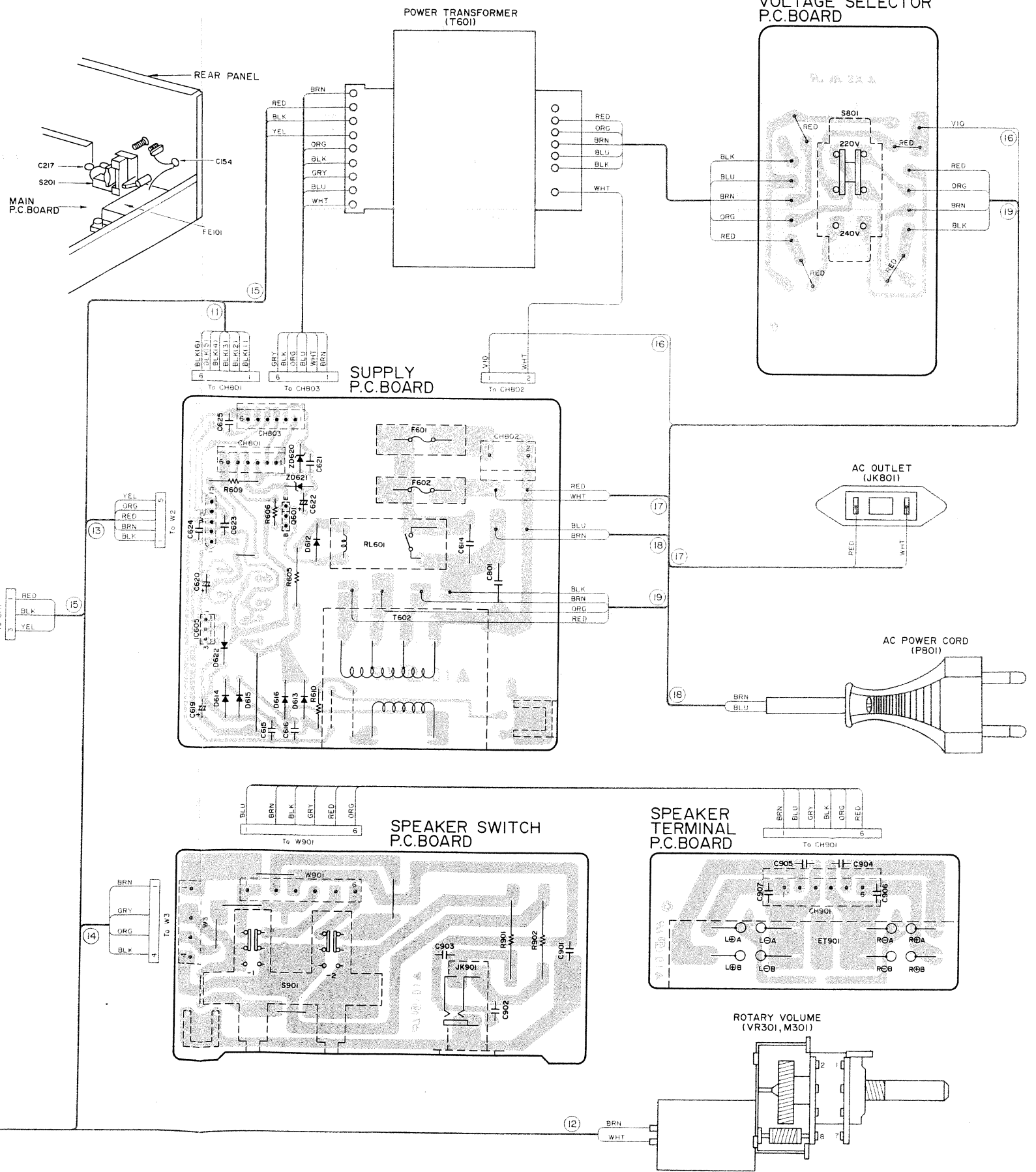
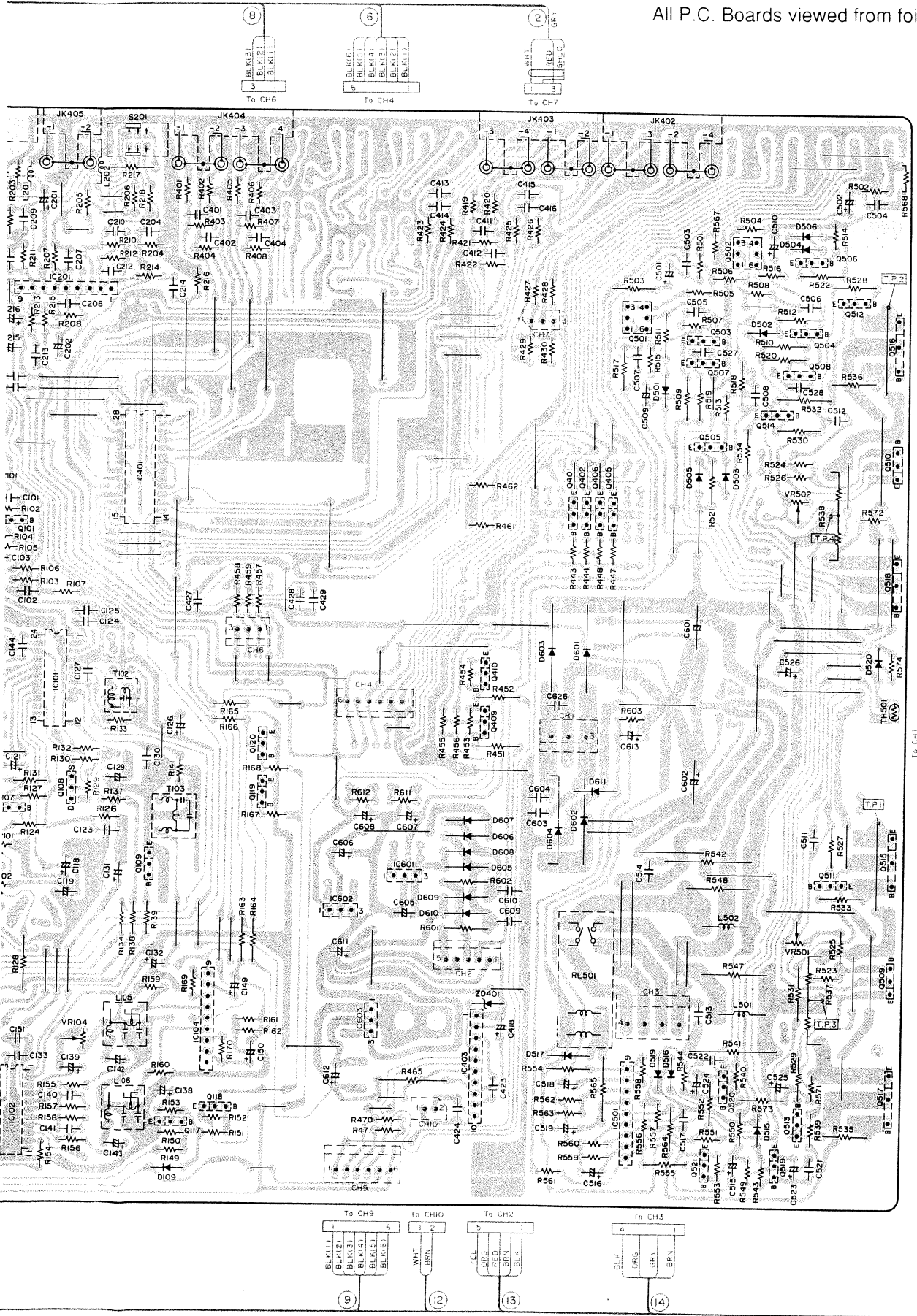
# Parts-Layout on P.C.Boards and Wiring Diagram <AD Model only>



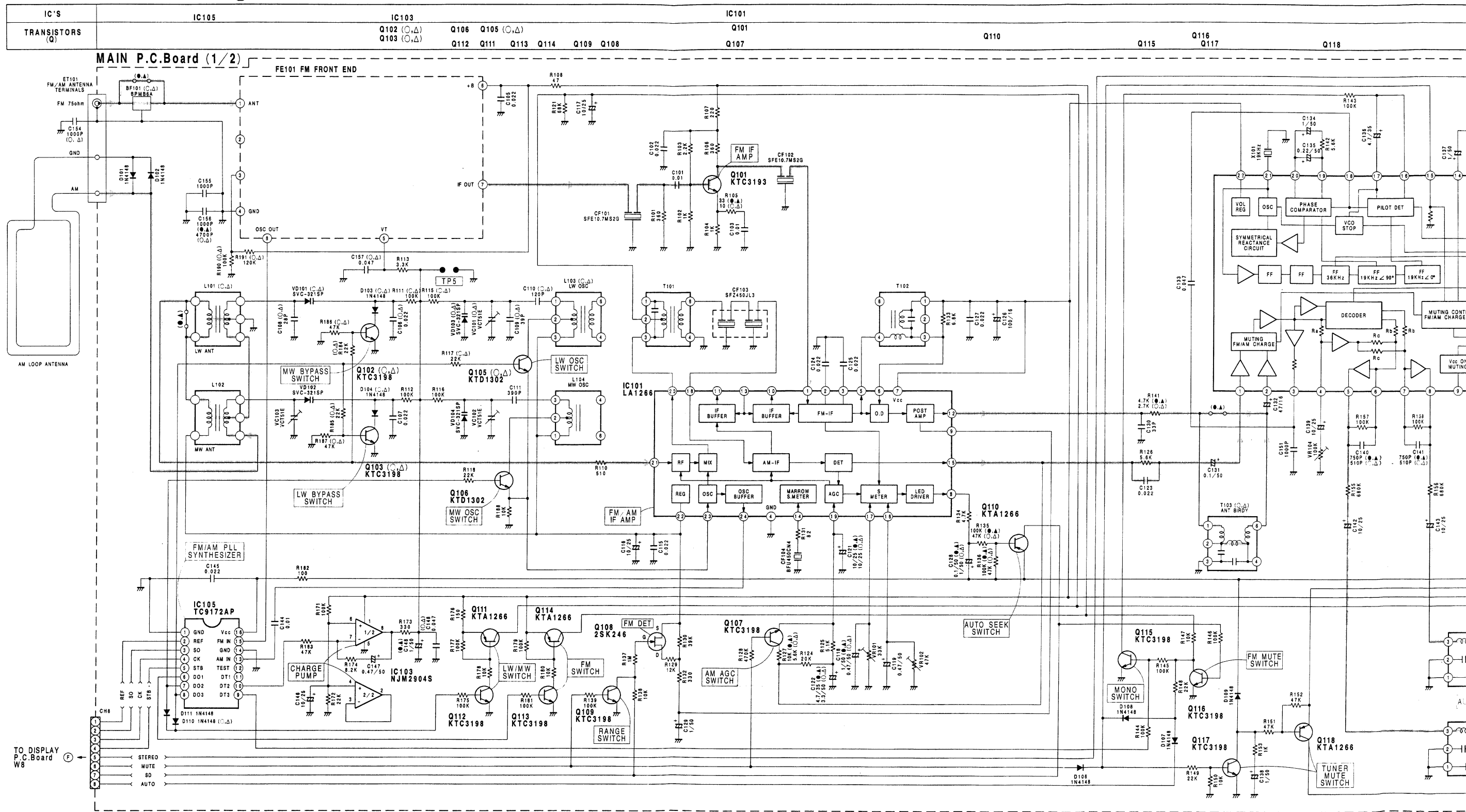


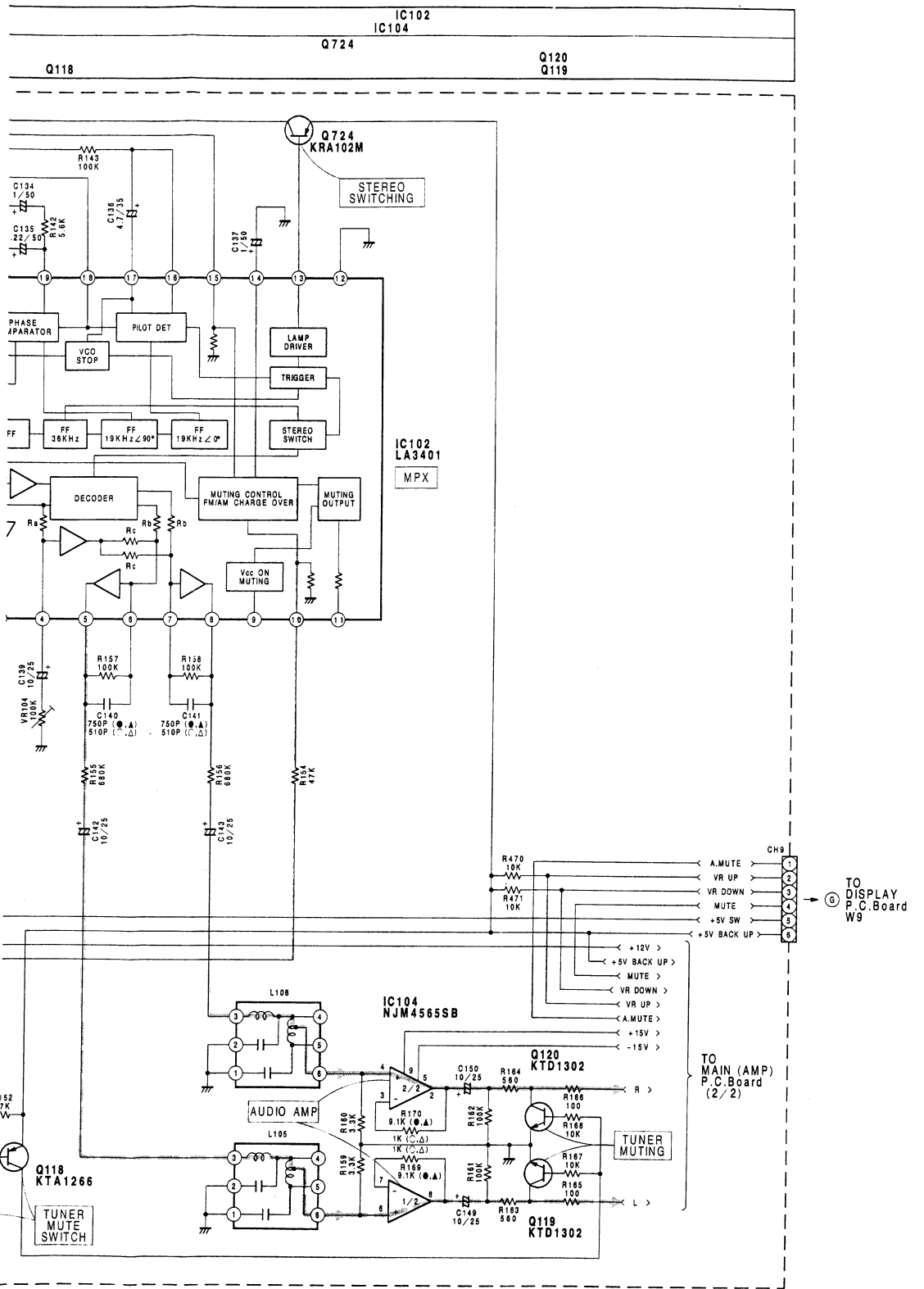
All P.C. Boards viewed from foil side.

Blue Pattern: Foil Side Pattern.



# Schematic Diagram (1/3)





**NOTE**  
 1. All resistance values are in ohms. K=1,000 M=1,000,000  
 2. All capacitance values are in micro farads. P=1/1000,000

3.  $\bullet$ : For U.S.A Version [UZ]  
 $\blacktriangle$ : For Canada Version [UO]  
 $\circ$ : For With Safety RegulationS VerSion(Black type) [AD]  
 $\triangle$ : For With Safety Regulations Version(Champagne Gold type) [AD]  
 Others: Common

**Measuring Condition**  
 1. Power supply voltage: AC120V (●,▲), AC120/220/24(○,△)  
 2. Measuring Meter: Multi meter  
 3. Measuring point reference: Between GND  
 4. Measuring Conditions: No signal input

	E	C	B	
Q101	2.8V/0V	9.7V/0V	3.2V/0V	FM/AM
Q102	0V	-	0V	
Q103	0V	-	0V	
Q105	3.1V	3.9V	0V	
Q106	3.1V/3.6V	3.9V/3.6V	3.2V/0V	FM/AM
Q107	1.5V	1.5V	0V	
Q109	0V	0V	0V	
Q110	5.3V	0V	5.3V	
Q111	11.9V/11.7V	0V/11.8V	11.8V/11V	FM/AM
Q112	0V	11.8V/0.1V	0V/0.6V	FM/AM
Q113	0V	0.1V/11.8V	0.6V/0V	FM/AM
Q114	11.9V	11.9V/0V	11.2V/11.9V	FM/AM
Q115	0V	0V/2.8V	0.6V/0V	MONO/ST
Q116	0V	9V/0V	0V	FM/AM
Q117	0V	0V/5.4V	0.6V/0V	FM/AM
Q118	5.4V	5.4V/0V	4.8V/5.4V	FM/AM
Q119	0V	0V	0.6V/0V	FM/AM
Q120	0V	0V	0.6V	
Q401	0V	0V	-13.4V	
Q402	0V	0V	-13.4V	
Q405	0V	0V	-13.4V	
Q406	0V	0V	-13.4V	
Q409	5.4V	-13.4V	5.4V	
Q410	5.4V	-13.4V	5.4V	
Q503	-38.6V	-37.6V	-38.1V	
Q504	-39.1V	-38.1V	-38.4V	
Q505	38V	1.1V	37.5V	
Q506	38V	1.1V	37.5V	
Q507	-38V	-1.1V	-37.5V	
Q508	-37.2V	-1.1V	-37.9V	
Q509	-1.1V	1.1V	-0.5V	
Q510	-1.1V	1.1V	-0.5V	
Q511	0.5V	39V	1.1V	
Q512	0.5V	38.9V	1.1V	
Q513	-0.5V	-39V	-1.1V	
Q514	-0.5V	-39.1V	-1.1V	
Q515	0V	39V	0.5V	
Q516	0V	39V	0.5V	
Q517	0V	-39V	-0.5V	
Q518	0V	-39V	-0.5V	
Q519	0V	37.4V	0V	
Q520	0V	37.4V	0V	
Q521	38.7V	-0.7V	38.6V	
Q601	0V	0V	0.7V	
Q701	5.4V	0V	5.4V	
Q702	5.4V	0V	5.4V	
Q703	0V	5.2V	0V	
Q704	5.2V	0V	5.2V	
Q705	0V	5.4V	0V	
Q708	0V	1.3V	0.1V	
Q709	0V	0V	0.6V	
Q710	5.4V	5.3V	4.6V	
Q711	4.7V	5.4V	5.4V	
Q712	0V	1.3V	0.2V	
Q713	0V	1.2V	0.2V	
Q715	0V	4.7V	0V	
Q716	0V	4.2V	0V	
Q717	0V	1.1V	0.1V	
Q719	0V	1.1V	0.1V	
Q720	0V	1.2V	0.1V	
Q721	0V	1.1V	0.1V	
Q722	0V	1.2V	0V	
Q723	0V	5.4V	0V	
Q724	5.4V	0V	5.4V	

**IC101**

1	2.5V/1V	FM/AM
2	2.5V/1V	FM/AM
3	2.5V/1V	FM/AM
4	0V	
5	12V	
6	12V	
7	12V	
8	5.2V	
9	3.7V	
10	2.3V	
11	2.7V	
12	3.2V	
13	0V	
14	1.5V	
15	1.5V	
16	0V	
17	0V	
18	2.5V/1V	FM/AM
19	1.5V	
20	0V/11.9V	FM/AM
21	3.9V/3.6V	FM/AM
22	3.9V/3.3V	FM/AM
23	3.1V/3.6V	FM/AM
24	2.3V	

**IC103**

1	12V	
2	2.1V	
3	2.1V	
4	2.1V	
5	0V	
6	2.1V	
7	2.1V	
8	2V/4.7V	FM/AM
9	-	

**IC401**

1	-14.8V	
2	0V	
3	0V	
4	0V	
5	0V	
6	0V	
7	0V	
8	0V	
9	0V	
10	0V	
11	0V	
12	0V	
13	0V	
14	0V	
15	0.1V	
16	0.1V	
17	0V	
18	0V	
19	0V	
20	0V	
21	0V	
22	0V	
23	0V	
24	0V	
25	0V	
26	0V	
27	0V	
28	15.3V	

**IC403**

1	0V	
2	0.5V	
3	0.7V	
4	0.7V	
5	2.5V	
6	2.5V	
7	12V	
8	12V	
9	0.7V	
10	0.5V	

**IC102**

1	3.2V	
2	3.2V	
3	3.2V	
4	3.2V	
5	3.1V	
6	3.2V	
7	3.2V	
8	3.1V	
9	3.7V/3.2V	FM/AM
10	0V/7.7V	FM/AM
11	3.8V/0V	FM/AM
12	0V	
13	5.4V	
14	4.9V/0V	FM/AM
15	4V/0V	FM/AM
16	2.4V	
17	2.8V/8.8V	FM/AM
18	2.7V/4.9V	FM/AM
19	2.7V/4.9V	FM/AM
20	2.7V/6.9V	FM/AM
21	3.3V/2.2V	FM/AM
22	12V	

**IC105**

1	0V	
2	2.4V	
3	0V	
4	0V	
5	0V	
6	4.7V	
7	0V	
8	0V	
9	4.7V	MONO
10	2.1V	
11	1V	
12	0V	
13	0V/2.5V	FM/AM
14	0V	
15	2.4V/0V	FM/AM
16	4.7V	

	IC104	IC201	IC302	IC303	IC501	IC707
1	-	-	15.4V	-	-0.7V	5.4V
2	0V	0V	0V	0V	0V	5.4V
3	0V	0V	0V	0V	0.1V	0.4V
4	0V	0V	0V	0V	0V	0.5V
5	-14.8V	-14.8V	-14.8V	-14.8V	-0.7V	0V
6	0V	0V	0V	0V	1V	0.5V
7	0V	0V	0V	0V	0V	0.4V
8	0V	0V	0V	0V	1.3V	5.4V
9	15.3V	15.3V	-	15.4V	2.8V	-

	IC304	IC601	IC602	IC603	IC604	IC605	IC706
1	5.4V	15.1V	-14.8V	12V	14.9V	5.4V	0V
2	0.3V	0V	-20.6V	0V	0V	0.5V	5.4V
3	0V	19.5V	0V	19.5V	20.6V	20.6V	5.4V

**IC701**

1	0V	33	1.5V
2	0V	34	1.5V
3	0V	35	1.5V
4	0V	36	1.2V
5	0V	37	3.7V
6	0V	38	0V
7	2V	39	0V
8	2V	40	0V
9	4.7V	41	0.2V
10	2V	42	0.2V
11	2.2V	43	0.2V
12	2.2V	44	0.4V
13	2.1V	45	5.4V
14	5.5V	46	5.4V
15	5.5V	47	5.4V
16	0V	48	5.4V
17	0V	49	5.4V
18	0V	50	2.5V
19	0V	51	2.8V
20	0V	52	5.4V
21	0V	53	3.7V
22	0V	54	5.4V
23	5.4V	55	5.4V
24	5.4V	56	5.4V
25	2.5V	57	0V
26	2.5V	58	5.4V
27	0.3V	59	0V
28	4.7V	60	0V
29	4.7V	61	0V
30	4.7V	62	0V
31	0V	63	5.4V
32	0V	64	5.4V

**IC703**

1	5.4V	
2	5.4V	
3	0V	
4	5.4V	
5	0V	
6	5.2V	
7	0V	
8	5.2V	
9	0V	
10	0V	
11	0V	
12	5.3V	
13	5.4V	
14	5.4V	

**IC704**

1	1.5V	
2	1.5V	
3	0V	
4	0V	
5	0V	
6	5.4V	
7	0V	
8	5.4V	
9	0V	
10	0V	
11	0V	
12	5.4V	
13	5.4V	
14	5.4V	

**IC702**

1	0V
2	0V
3	-2.2V
4	-2.2V
5	-13.9V
6	-19.4V
7	-19.4V
8	-19.4V
9	-19.4V
10	-19.3V
11	-19.3V
12	-19.3V
13	-13.6V
14	-10.8V
15	-10.8V
16	-13.6V
17	-13.6V
18	-8.1V
19	-19.1V
20	-21.9V
21	-22.4V
22	0V
23	0V
24	0V
25	0V
26	0V
27	0V
28	0V
29	0V
30	4.7V
31	0V
32	0V
33	0V
34	0V
35	0V
36	0V
37	2.8V
38	4.7V
39	4.1V
40	2.1V
41	2.2V
42	4.7V

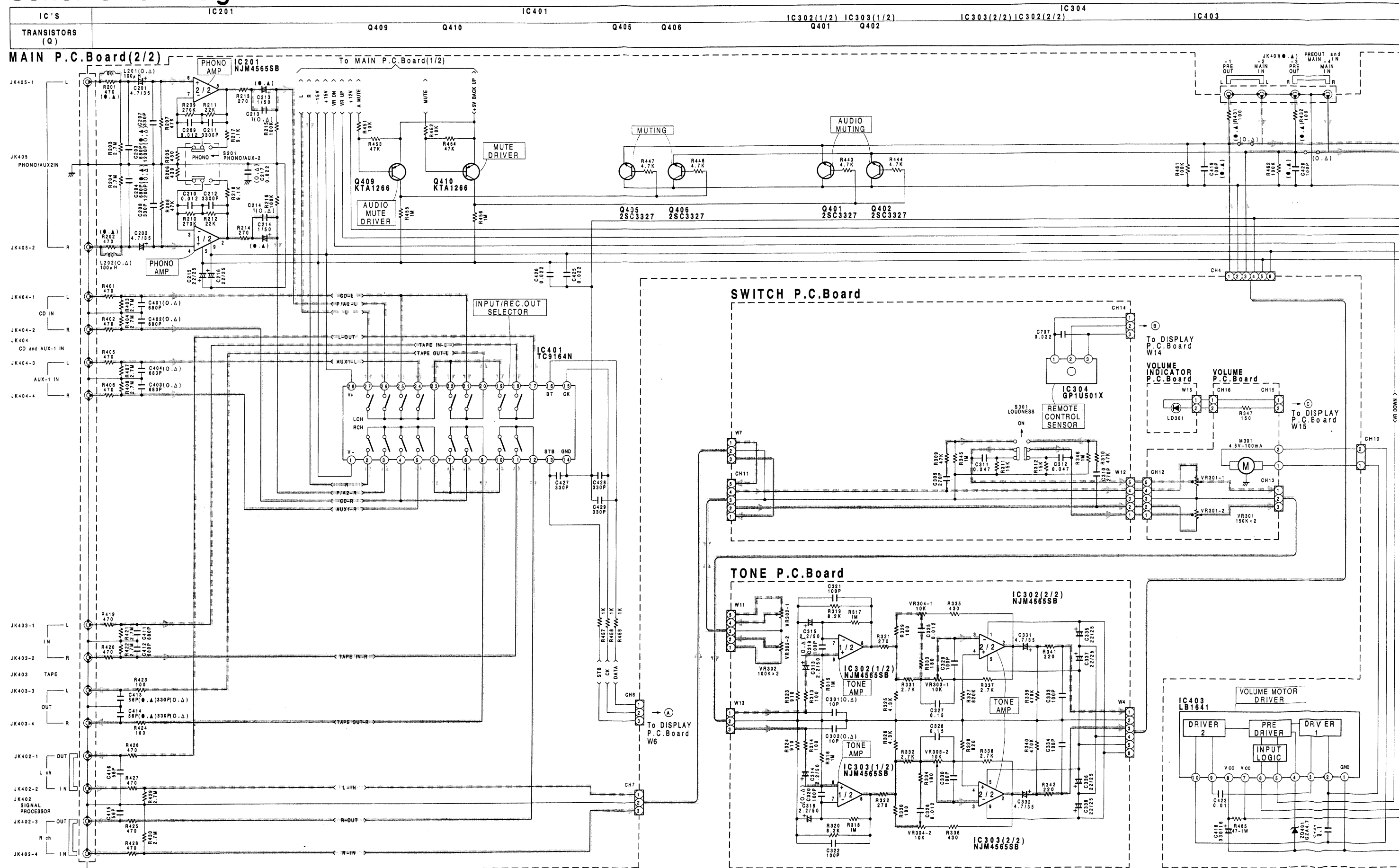
**Q108**

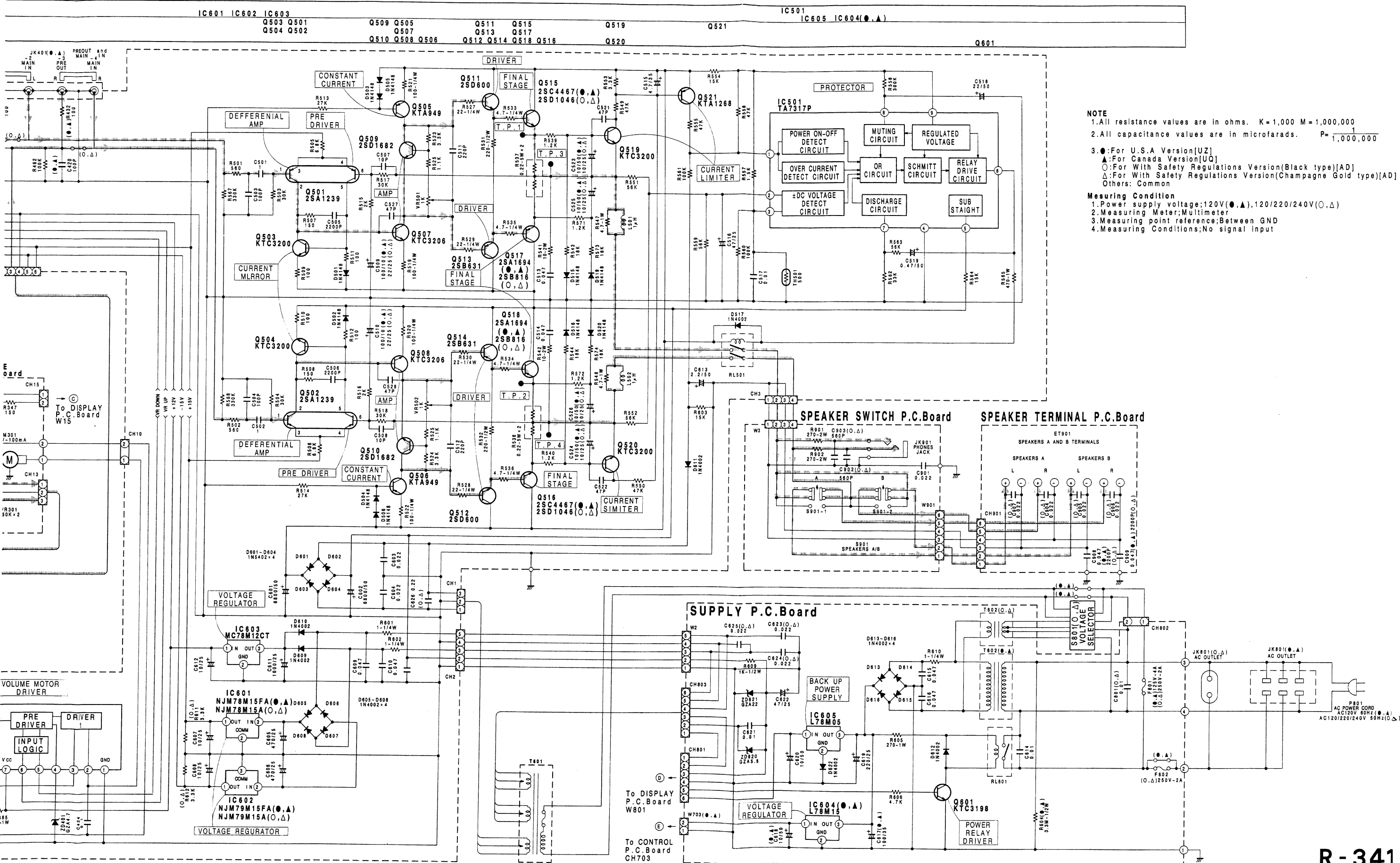
	S	G	D
Q108	3.9V	0V	3.6V

**Q501**

	Q501	Q502
1	0.6V	0.6V
2	-37.5V	-37.5V
3	0V	0V
4	0V	0V
5	-38V	-38V
6	0.6V	0.6V

# Schematic Diagram (2/3)





**NOTE**

- All resistance values are in ohms. K=1,000 M=1,000,000
- All capacitance values are in microfarads.  $P = \frac{1}{1,000,000}$
- : For U.S.A Version[UZ]  
▲: For Canada Version[UQ]  
○: For With Safety Regulations Version(Black type)[AD]  
△: For With Safety Regulations Version(Champagne Gold type)[AD]  
Others: Common

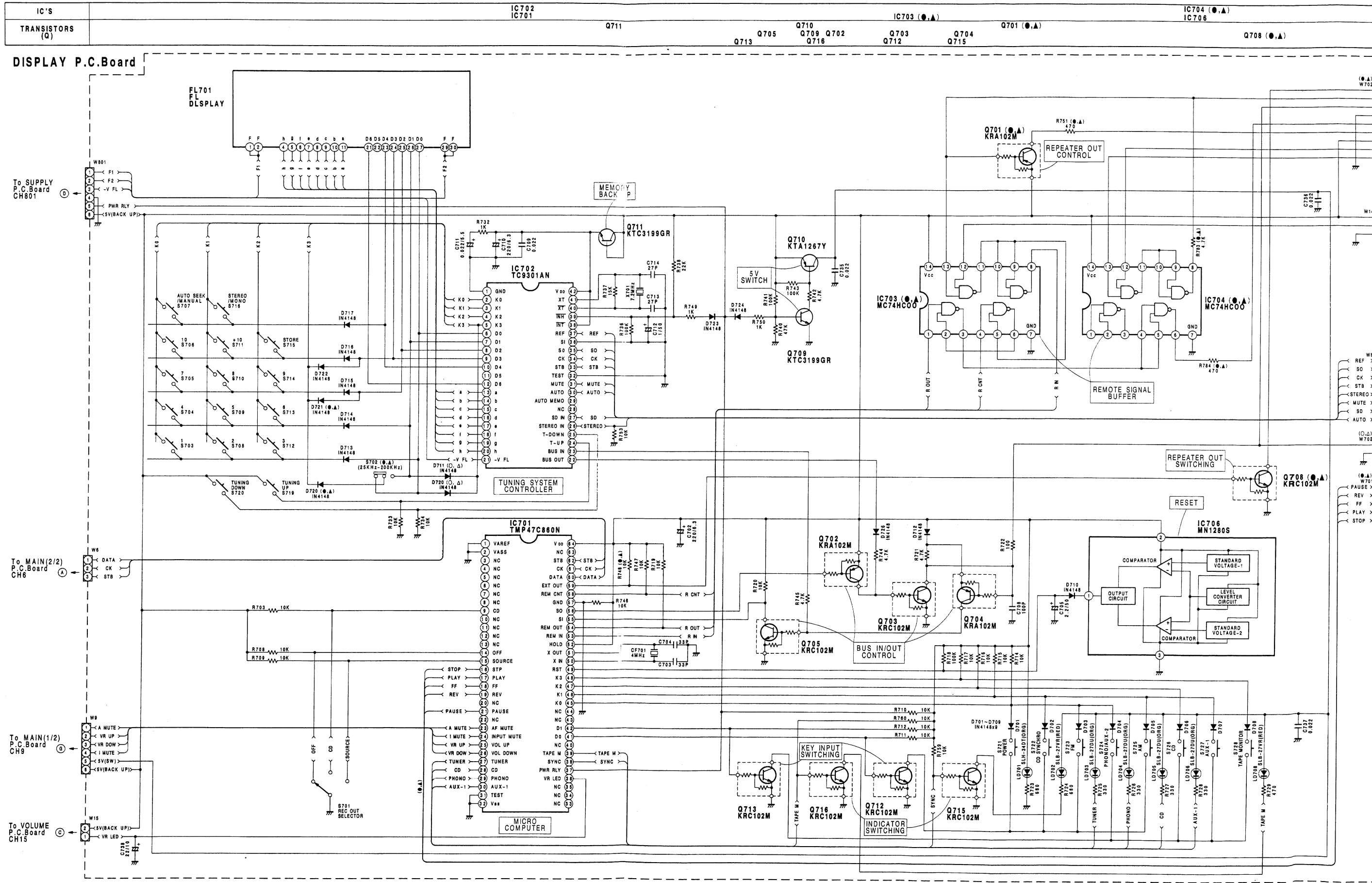
**Measuring Condition**

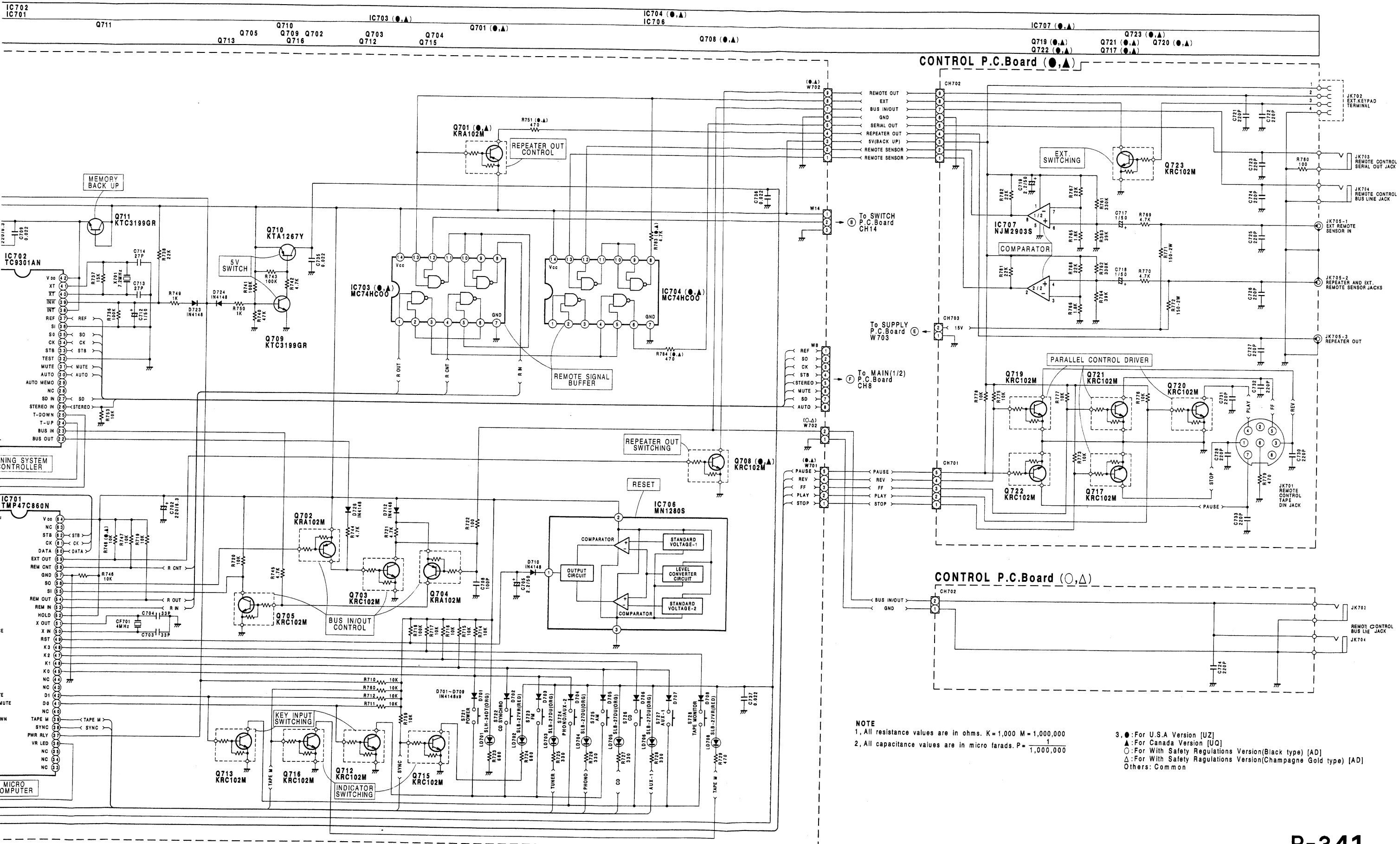
- Power supply voltage; 120V(●,▲), 120/220/240V(○,△)
- Measuring Meter; Multimeter
- Measuring point reference; Between GND
- Measuring Conditions; No signal input

H | I | J | K | L | M | N | O | P



# Schematic Diagram (3/3)





NOTE  
 1. All resistance values are in ohms. K=1,000 M=1,000,000  
 2. All capacitance values are in micro farads. P = 1/1,000,000

●: For U.S.A Version [UZ]  
 ▲: For Canada Version [UQ]  
 ○: For With Safety Regulations Version (Black type) [AD]  
 △: For With Safety Regulations Version (Champagne Gold type) [AD]  
 Others: Common

# Electrical Parts List

Resistor : Carbon resistors under 1/4 watts are not mentioned in the parts list, please confirm them by schematic diagram.

Capacitor :  $\mu$ F = microfarads, pF = picofarads

Abbreviations			Symbol No.	Part No.	Description
RES. = Resistor	CAP. = Capacitor		Q107	48E09209S01	KTC3198
C.F. = Carbon Film	ELY. = Electrolytic		Q108	48T66948F01	FET, 25K246
M.F. = Metal Film	CER. = Ceramic		Q109	48E09209S01	KTC3198
M.O. = Metal Oxide Film	MYL. = Mylar		Q110	48E09211S01	KTA1266
M.P. = Metal Plate	TAN. = Tantalum		Q111	48E09211S01	KTA1266
TR. = Transistor	POLY. = Polystyrol		Q112	48E09209S01	KTC3198
TRANS. = Transformer	PP. = Polypropylene		Q113	48E09209S01	KTC3198
CP. = Chip	PLT. = Polyethylene		Q114	48E09211S01	KTA1266
	PF. = Polyester Film		Q115	48E09209S01	KTC3198
			Q116	48E09209S01	KTC3198
Main P. C. Board			Q117	48E09209S01	KTC3198
IC's			Q118	48E09211S01	KTA1266
IC101	51E09192S01	LA1266	Q119	48E09210S01	KTD1302
IC102	51T72226F01	LA3401	Q120	48E09210S01	KTD1302
IC103	51E09317S01	NJM2904S	Q401	48E09224S01	2SC3327
IC104	51E09193S01	NJM4565SB	or	48E09225S01	2SD2144
IC105	51E09194S01	TC9172AP	Q402	48E09224S01	2SC3327
IC201	51E09193S01	NJM4565SB	or	48E09225S01	2SD2144
IC401	51E09322S01	TC9164N	Q405	48E09224S01	2SC3327
IC403	51T15267W01	LB1641	or	48E09225S01	2SD2144
IC501	51T67437F01	TA7317P	Q406	48E09224S01	2SC3327
○ IC601	51E09197S01	NJM78M15A	or	48E09225S01	2SD2144
△ IC601	51E09197S01	NJM78M15A	Q409	48E09211S01	KTA1266
● IC601	51E09323S01	NJM78M15FA	Q410	48E09211S01	KTA1266
▲ IC601	51E09323S01	NJM78M15FA	Q501	48E09215S01	2SA1239
○ IC602	51E09198S01	NJM79M15A	Q502	48E09215S01	2SA1239
△ IC602	51E09198S01	NJM79M15A	Q503	48E09223S01	KTC3200
● IC602	51E09324S01	NJM79M15FA	Q504	48E09223S01	KTC3200
▲ IC602	51E09324S01	NJM79M15FA	Q505	48E09219S01	KTA949
IC603	51E09196S01	MC78M12CT	or	48T72888F01	2SA1208
or	51T53320F01	L78M12	Q506	48E09219S01	KTA949
			or	48T72888F01	2SA1208
Transistors			Q507	48E09220S01	KTC3206
Q101	48E09207S01	KTC3193	or	48E09221S01	KTC2229
or	48S44580J03	2SC1675	or	48E09222S01	2SC2910
or	48E09208S01	2SC2839	Q508	48E09220S01	KTC3206
○ Q102	48E09209S01	KTC3198	or	48E09221S01	KTC2229
△ Q102	48E09209S01	KTC3198	or	48E09222S01	2SC2910
○ Q103	48E09209S01	KTC3198	Q509	48T72889F01	2SD1682
△ Q103	48E09209S01	KTC3198	Q510	48T72889F01	2SD1682
○ Q105	48E09210S01	KTD1302	Q511	48E08018S01	2SD600
△ Q105	48E09210S01	KTD1302	Q512	48E08018S01	2SD600
Q106	48E09210S01	KTD1302	Q513	48E08019S01	2SB631
			Q514	48E08019S01	2SB631
			○ Q515	48E09616S01	2SD1046
			△ Q515	48E09616S01	2SD1046

Notes : ○ : For With Safty Regulations Version (Black Type) [AD],  
 △ : For With Safty Regulations Version (Champagne Gold Type) [AD],  
 ● : For U.S.A. Version [UZ], ▲ : For Canada Version [UQ], Others : Common.

Symbol No.	Part No.	Description	Symbol No.	Part No.	Description
●	Q515	48E08016S03 25C4467		D520	48E04616S01 1N4148
▲	Q515	48E08016S03 25C4467		D601	48E08024S01 1N5402
○	Q516	48E09616S01 2SD1046		D602	48E08024S01 1N5402
△	Q516	48E09616S01 2SD1046		D603	48E08024S01 1N5402
●	Q516	48E08016S03 25C4467		D604	48E08024S01 1N5402
▲	Q516	48E08016S03 25C4467		D605	48S40477U02 1N4002
○	Q517	48E09617S01 2SB816		D606	48S40477U02 1N4002
△	Q517	48E09617S01 2SB816		D607	48S40477U02 1N4002
●	Q517	48E08017S03 2SA1694		D608	48S40477U02 1N4002
▲	Q517	48E08017S03 2SA1694		D609	48S40477U02 1N4002
○	Q518	48E09617S01 2SB816		D610	48S40477U02 1N4002
△	Q518	48E09617S01 2SB816		D611	48S40477U02 1N4002
●	Q518	48E08017S03 2SA1694	○	VD101	48E09212S01 Varactor, SVC-321SP
▲	Q518	48E08017S03 2SA1694	△	VD101	48E09212S01 Varactor, SVC-321SP
	Q519	48E09223S01 KTC3200		VD102	48E09212S01 Varactor, SVC-321SP
	Q520	48E09223S01 KTC3200		VD103	48E09212S01 Varactor, SVC-321SP
	Q521	48E09216S01 KTA1268	△	VD103	48E09212S01 Varactor, SVC-321SP
	or	48E09217S01 KTA970		VD104	48E09212S01 Varactor, SVC-321SP
	or	48E09218S01 2SA1016		ZD401	48E01750S03 Zener, GZA4.7
	Q724	48E09231S01 KRA102M	or	48T68699F08	Zener, MTZ4.7
	or	48E09229S02 DTA114ES			
<b>Diodes</b>			<b>Ceramic Filters / Filter</b>		
○	D101	48E04616S01 1N4148	○	CF101	91E09240S01 SFE10.7MS2G
△	D102	48E04616S01 1N4148		CF102	91E09240S01 SFE10.7MS2G
○	D103	48E04616S01 1N4148		CF103	91E09241S01 SFZ450JL3
△	D103	48E04616S01 1N4148		CF104	91E09320S01 BFU450CN4
○	D104	48E04616S01 1N4148		BF101	91E09619S01 Filter, Band Pass
△	D104	48E04616S01 1N4148	△	BF101	91E09619S01 Filter, Band Pass
	D106	48E04616S01 1N4148	<b>Crystal / Coils</b>		
	D107	48E04616S01 1N4148	○	X101	48E04723S01 Crystal, 19KHz
	D108	48E04616S01 1N4148	△	L101	24E09618S01 LW ANT
	D109	48E04616S01 1N4148		L101	24E09618S01 LW ANT
○	D110	48E04616S01 1N4148		L102	24E08073S01 MW ANT
△	D110	48E04616S01 1N4148	○	L103	24E09619S01 LW OSC
	D111	48E04616S01 1N4148	△	L103	24E09619S01 LW OSC
	D501	48E04616S01 1N4148		L104	24E09247S01 MW OSC
	D502	48E04616S01 1N4148		L105	24E09248S01 MPX FILTER
	D503	48E04616S01 1N4148		L106	24E09248S01 MPX FILTER
	D504	48E04616S01 1N4148	○	L201	24E09620S01 Inductor, 100μH
	D505	48E04616S01 1N4148	△	L201	24E09620S01 Inductor, 100μH
	D506	48E04616S01 1N4148	○	L202	24E09620S01 Inductor, 100μH
	D515	48E04616S01 1N4148	△	L202	24E09620S01 Inductor, 100μH
	D516	48E04616S01 1N4148		L501	24E09245S01 1μH
	D517	48S40477U02 1N4002		L502	24E09245S01 1μH
	D519	48E04616S01 1N4148			

Notes : ○ : For With Safty Regulations Version (Black Type) [AD],  
 △ : For With Safty Regulations Version (Champagne Gold Type) [AD],  
 ● : For U.S.A. Version [UZ], ▲ : For Canada Version [UQ], Others : Common.

Symbol No.	Part No.	Description	Symbol No.	Part No.	Description
○ T101	24E09243S01	IFT 450	● C118	23E04635S03	ELY., 1 $\mu$ F / 50V
△ T102	24E09244S01	IFT 10.7	▲ C118	23E04635S03	ELY., 1 $\mu$ F / 50V
○ T103	24E04747S01	ANT BIRDY	○ C119	23E04635S04	ELY., 0.47 $\mu$ F / 50V
△ T103	24E04747S01	ANT BIRDY	△ C121	23E04731S03	ELY., 4.7 $\mu$ F / 35V
<b>Jacks</b>			△ C121	23E04731S03	ELY., 4.7 $\mu$ F / 35V
● JK401	09E09251S01	4P RCA (PRE OUT and MAIN IN)	● C121	23E04636S06	ELY., 10 $\mu$ F / 25V
▲ JK401	09E09251S01	4P RCA (PRE OUT and MAIN IN)	▲ C121	23E04636S06	ELY., 10 $\mu$ F / 25V
JK402	09E09251S01	4P RCA (SIGNAL PROCESSOR IN and OUT)	○ C122	23E04635S11	ELY., 3.3 $\mu$ F / 50V
JK403	09E09251S01	4P RCA (TAPE IN and OUT)	△ C122	23E04635S11	ELY., 3.3 $\mu$ F / 50V
JK404	09E09251S01	4P RCA (CD and AUX - 1 IN)	● C122	23E04731S03	ELY., 4.7 $\mu$ F / 35V
JK405	09E09252S01	2P RCA (PHONO / AUX - 2 IN)	▲ C122	23E04731S03	ELY., 4.7 $\mu$ F / 35V
<b>Relay</b>			C123	08E04735S09	MYL., 0.022 $\mu$ F
RL501	80E09314S01	OSA - SS - 224DM	C124	21E04631S02	CER., 0.022 $\mu$ F
or	80E09318S01	OMI - SS - 224LM	C125	21E04631S02	CER., 0.022 $\mu$ F
or	80E09315S01	HR - CR323 DC24V	C126	23E04754S03	ELY., 100 $\mu$ F / 16V
<b>Switch / Thermistor</b>			○ C127	21E04631S02	CER., 0.022 $\mu$ F
S201	40E09313S01	Slide, SSSF1 (PHONO / AUX-2)	△ C128	23E04635S03	ELY., 1 $\mu$ F / 50V
TH501	48E09280S01	Thermistor, 500 ohm	● C128	23E04635S03	ELY., 1 $\mu$ F / 50V
<b>Capacitors</b>			▲ C128	23E04635S06	ELY., 0.1 $\mu$ F / 50V
○ C101	21E04631S01	CER., 0.01 $\mu$ F	○ C129	23E04635S03	ELY., 1 $\mu$ F / 50V
○ C102	21E04631S02	CER., 0.022 $\mu$ F	C130	21E04622S07	CER., 33pF
○ C103	21E04631S01	CER., 0.01 $\mu$ F	C131	23E04635S06	ELY., 0.1 $\mu$ F / 50V
○ C105	21E04631S02	CER., 0.022 $\mu$ F	C132	23E04754S05	ELY., 47 $\mu$ F / 16V
○ C106	21E04631S02	CER., 0.022 $\mu$ F	C133	08E04735S02	MYL., 0.047 $\mu$ F
△ C106	21E04631S02	CER., 0.022 $\mu$ F	C134	23E04635S03	ELY., 1 $\mu$ F / 50V
○ C107	21E04631S02	CER., 0.022 $\mu$ F	C135	23E04635S05	ELY., 0.22 $\mu$ F / 50V
○ C108	21E04736S02	CER., 27pF	C136	23E04731S03	ELY., 4.7 $\mu$ F / 35V
△ C108	21E04736S02	CER., 27pF	C137	23E04635S03	ELY., 1 $\mu$ F / 50V
○ C109	21E04736S09	CER., 39pF	C138	23E04635S03	ELY., 1 $\mu$ F / 50V
△ C109	21E04736S09	CER., 39pF	○ C139	23E04636S06	ELY., 10 $\mu$ F / 25V
○ C110	08E04656S03	Styrene, 120pF	△ C140	21E04734S14	CER., 510pF
△ C110	08E04656S03	Styrene, 120pF	△ C140	21E04734S14	CER., 510pF
C111	08E04656S02	Styrene, 390pF	● C140	21E04734S13	CER., 750pF
C115	21E04631S02	CER., 0.022 $\mu$ F	▲ C140	21E04734S13	CER., 750pF
C116	23E04636S06	ELY., 10 $\mu$ F / 25V	○ C141	21E04734S14	CER., 510pF
C117	23E04636S06	ELY., 10 $\mu$ F / 25V	△ C141	21E04734S14	CER., 510pF
○ C118	23E04635S04	ELY., 0.47 $\mu$ F / 50V	● C141	21E04734S13	CER., 750pF
△ C118	23E04635S04	ELY., 0.47 $\mu$ F / 50V	▲ C141	21E04734S13	CER., 750pF
			C142	23E04636S06	ELY., 10 $\mu$ F / 25V
			C143	23E04636S06	ELY., 10 $\mu$ F / 25V
			C144	21E04631S01	CER., 0.01 $\mu$ F
			C145	21E04361S02	CER., 0.022 $\mu$ F
			C146	23E04636S06	ELY., 10 $\mu$ F / 25V
			C147	23E04635S04	ELY., 0.47 $\mu$ F / 50V
			○ C148	21E04631S04	CER., 0.047 $\mu$ F
			△ C148	21E04631S04	CER., 0.047 $\mu$ F
			● C148	23E04635S03	ELY., 1 $\mu$ F / 50V
			▲ C148	23E04635S03	ELY., 1 $\mu$ F / 50V

Notes : ○ : For With Safty Regulations Version (Black Type) [AD],  
 △ : For With Safty Regulations Version (Champagne Gold Type) [AD],  
 ● : For U.S.A. Version [UZ], ▲ : For Canada Version [UQ], Others : Common.

Symbol No.	Part No.	Description	Symbol No.	Part No.	Description
	C149	23E04636S06 ELY., 10 $\mu$ F / 25V		C412	21E04622S16 CER., 680pF
	C150	23E04636S06 ELY., 10 $\mu$ F / 25V	○	C413	21E04622S15 CER., 330pF
○	C151	08E04735S04 MYL., 1000pF	△	C413	21E04622S15 CER., 330pF
△	C154	21E04631S06 CER., 1000pF	●	C413	21E04622S13 CER., 56pF
	C154	21E04631S06 CER., 1000pF	▲	C413	21E04622S13 CER., 56pF
○	C155	21E04631S06 CER., 1000pF	○	C414	21E04622S15 CER., 330pF
○	C156	21E04631S08 CER., 4700pF	△	C414	21E04622S15 CER., 330pF
△	C156	21E04631S08 CER., 4700pF	●	C414	21E04622S13 CER., 56pF
●	C156	21E04631S06 CER., 1000pF	▲	C414	21E04622S13 CER., 56pF
▲	C156	21E04631S06 CER., 1000pF		C415	21E04622S13 CER., 56pF
○	C157	21E04631S04 CER., 0.047 $\mu$ F		C416	21E04622S13 CER., 56pF
△	C157	21E04631S04 CER., 0.047 $\mu$ F		C418	23E04754S09 ELY., 330 $\mu$ F / 16V
	C201	23E04731S03 ELY., 4.7 $\mu$ F / 35V	●	C419	21E04622S14 CER., 100pF
	C202	23E04731S03 ELY., 4.7 $\mu$ F / 35V	▲	C419	21E04622S14 CER., 100pF
○	C203	21E04622S25 CER., 1200pF	●	C420	21E04622S14 CER., 100pF
△	C203	21E04622S25 CER., 1200pF	▲	C420	21E04622S14 CER., 100pF
●	C203	21E04622S09 CER., 680pF		C423	08E04735S05 MYL., 0.01 $\mu$ F
▲	C203	21E04622S09 CER., 680pF		C424	08E04654S09 Plastic, 0.1 $\mu$ F
○	C204	21E04622S25 CER., 1200pF		C425	21E04631S02 CER., 0.022 $\mu$ F
△	C204	21E04622S25 CER., 1200pF		C426	21E04631S02 CER., 0.022 $\mu$ F
●	C204	21E04622S09 CER., 680pF		C427	21E04622S15 CER., 330pF
▲	C204	21E04622S09 CER., 680pF		C428	21E04622S15 CER., 330pF
	C207	21E04622S08 CER., 330pF		C429	21E04622S15 CER., 330pF
	C208	21E04622S08 CER., 330pF		C501	08E04654S11 Plastic, 1 $\mu$ F
	C209	08E04735S01 MYL., 0.012 $\mu$ F		C502	08E04654S11 Plastic, 1 $\mu$ F
	C210	08E04735S01 MYL., 0.012 $\mu$ F		C503	21E04622S12 CER., 100pF
	C211	08E04735S13 MYL., 3300pF		C504	21E04622S12 CER., 100pF
	C212	08E04735S13 MYL., 3300pF		C505	08E04735S11 MYL., 2200pF
○	C213	08E04654S11 Plastic, 1 $\mu$ F		C506	08E04735S11 MYL., 2200pF
△	C213	08E04654S11 Plastic, 1 $\mu$ F		C507	21E04622S10 CER., 10pF
●	C213	23E04635S03 ELY., 1 $\mu$ F / 50V		C508	21E04622S10 CER., 10pF
▲	C213	23E04635S03 ELY., 1 $\mu$ F / 50V	○	C509	23E04636S02 ELY., 22 $\mu$ F / 25V
○	C214	08E04654S11 Plastic, 1 $\mu$ F	△	C509	23E04636S02 ELY., 22 $\mu$ F / 25V
△	C214	08E04654S11 Plastic, 1 $\mu$ F	●	C509	23E06052S03 ELY., 100 $\mu$ F / 10V
●	C214	23E04635S03 ELY., 1 $\mu$ F / 50V	▲	C509	23E06052S03 ELY., 100 $\mu$ F / 10V
▲	C214	23E04635S03 ELY., 1 $\mu$ F / 50V	○	C510	23E04636S02 ELY., 22 $\mu$ F / 25V
	C215	23E04636S02 ELY., 22 $\mu$ F / 25V	△	C510	23E04636S02 ELY., 22 $\mu$ F / 25V
	C216	23E04636S02 ELY., 22 $\mu$ F / 25V	●	C510	23E06052S03 ELY., 100 $\mu$ F / 10V
○	C217	21E04631S02 CER., 0.022 $\mu$ F	▲	C510	23E06052S03 ELY., 100 $\mu$ F / 10V
△	C217	21E04631S02 CER., 0.022 $\mu$ F		C511	21E04734S08 CER., 220pF
○	C401	21E04622S16 CER., 680pF		C512	21E04734S08 CER., 220pF
△	C401	21E04622S16 CER., 680pF		C513	08E04735S02 MYL., 0.047 $\mu$ F
○	C402	21E04622S16 CER., 680pF		C514	08E04735S02 MYL., 0.047 $\mu$ F
△	C402	21E04622S16 CER., 680pF		C515	23E04731S03 ELY., 4.7 $\mu$ F / 35V
○	C403	21E04622S16 CER., 680pF		C516	23E04636S07 ELY., 47 $\mu$ F / 25V
△	C403	21E04622S16 CER., 680pF		C517	21E04631S01 CER., 0.01 $\mu$ F
○	C404	21E04622S16 CER., 680pF		C518	23E04635S12 ELY., 22 $\mu$ F / 50V
△	C404	21E04622S16 CER., 680pF		C519	23E04635S04 ELY., 0.47 $\mu$ F / 50V
	C411	21E04622S16 CER., 680pF		C521	21E04622S11 CER., 47pF

Notes : ○ : For With Safty Regulations Version (Black Type) [AD],  
 △ : For With Safty Regulations Version (Champagne Gold Type) [AD],  
 ● : For U.S.A. Version [UZ], ▲ : For Canada Version [UQ], Others : Common.

Symbol No.	Part No.	Description	Symbol No.	Part No.	Description	
	C522	21E04622S11 CER., 47pF	<b>Resistors</b>			
○	C523	23E04636S06 ELY., 10 $\mu$ F / 25V	R465	06E04639S08	M.O., 47 ohm 1W	
△	C523	23E04636S06 ELY., 10 $\mu$ F / 25V	R519	06E09483S05	Fuse, 100 ohm 1/4W	
●	C523	23E04635S10 ELY., 10 $\mu$ F / 50V	R520	06E09483S05	Fuse, 100 ohm 1/4W	
▲	C523	23E04635S10 ELY., 10 $\mu$ F / 50V	R521	06E09483S05	Fuse, 100 ohm 1/4W	
	C524	23E04636S06 ELY., 10 $\mu$ F / 25V	R522	06E09483S05	Fuse, 100 ohm 1/4W	
△	C524	23E04636S06 ELY., 10 $\mu$ F / 25V	R527	06E09483S02	Fuse, 22 ohm 1/4W	
●	C524	23E04635S10 ELY., 10 $\mu$ F / 50V	R528	06E09483S02	Fuse, 22 ohm 1/4W	
▲	C524	23E04635S10 ELY., 10 $\mu$ F / 50V	R529	06E09483S02	Fuse, 22 ohm 1/4W	
○	C525	23E04636S06 ELY., 10 $\mu$ F / 25V	R530	06E09483S02	Fuse, 22 ohm 1/4W	
△	C525	23E04636S06 ELY., 10 $\mu$ F / 25V	R531	06E09316S01	C.F., 220 ohm 1/2W	
●	C525	23E04635S10 ELY., 10 $\mu$ F / 50V	R532	06E09316S01	C.F., 220 ohm 1/2W	
▲	C525	23E04635S10 ELY., 10 $\mu$ F / 50V	R533	06E09483S01	Fuse, 4.7 ohm 1/4W	
○	C526	23E04636S06 ELY., 10 $\mu$ F / 25V	R534	06E09483S01	Fuse, 4.7 ohm 1/4W	
△	C526	23E04636S06 ELY., 10 $\mu$ F / 25V	R535	06E09483S01	Fuse, 4.7 ohm 1/4W	
●	C526	23E04635S10 ELY., 10 $\mu$ F / 50V	R536	06E09483S01	Fuse, 4.7 ohm 1/4W	
▲	C526	23E04635S10 ELY., 10 $\mu$ F / 50V	R537	17E04642S01	Cement, 0.22 ohm 5W $\times$ 2	
	C527	21E04622S11 CER., 47pF	R538	17E04642S01	Cement, 0.22 ohm 5W $\times$ 2	
	C528	21E04622S11 CER., 47pF	R541	06E04640S01	M.O., 10 ohm 2W	
	C601	23E04635S14 ELY., 6800 $\mu$ F / 50V	R542	06E04640S01	M.O., 10 ohm 2W	
	C602	23E04635S14 ELY., 6800 $\mu$ F / 50V	R547	06E04639S05	M.O., 4.7 ohm 1W	
	C603	21E05506S02 CER., 0.022 $\mu$ F	R548	06E04639S05	M.O., 4.7 ohm 1W	
	C604	21E05506S02 CER., 0.022 $\mu$ F	R565	06E04639S07	M.O., 470 ohm 1W	
	C605	23E04636S08 ELY., 470 $\mu$ F / 25V	R601	06E09483S04	Fuse, 1 ohm 1/4W	
	C606	23E04636S08 ELY., 470 $\mu$ F / 25V	R602	06E09483S04	Fuse, 1 ohm 1/4W	
	C607	23E04636S06 ELY., 10 $\mu$ F / 25V	VR101	18E09261S01	Variable, 33K ohm	
	C608	23E04636S06 ELY., 10 $\mu$ F / 25V	VR102	18E09262S01	Variable, 47K ohm	
	C609	21E04631S04 CER., 0.047 $\mu$ F	VR104	18E09263S01	Variable, 100K ohm	
	C610	21E04631S04 CER., 0.047 $\mu$ F	VR501	18E09264S01	Variable, 1K ohm	
	C611	23E04636S05 ELY., 1000 $\mu$ F / 25V	VR502	18E09264S01	Variable, 1K ohm	
	C612	23E04636S06 ELY., 10 $\mu$ F / 25V	<b>Display P. C. Board</b>			
	C613	23E04635S08 ELY., 2.2 $\mu$ F / 50V	<b>IC's</b>			
○	C626	08E10337S01 Plastic, 0.1 $\mu$ F	IC701	51E09988S01	TMP47C860N	
△	C626	08E10337S01 Plastic, 0.1 $\mu$ F	IC702	51E09203S01	TC9301AN	
○	VC101	20E09268S01 Trimmer, VCT51E	●	IC703	51E09204S01	MC74HC00
○	or	20E09269S01 Trimmer, CVN5A200	▲	IC703	51E09204S01	MC74HC00
△	VC101	20E09268S01 Trimmer, VCT51E	●	IC704	51E09204S01	MC74HC00
△	or	20E09269S01 Trimmer, CVN5A200	▲	IC704	51E09204S01	MC74HC00
	VC102	20E09268S01 Trimmer, VCT51E		IC706	51T72309F01	MN1280S
	or	20E09269S01 Trimmer, CVN5A200				
	VC103	20E09268S01 Trimmer, VCT51E				
	or	20E09269S01 Trimmer, CVN5A200				

Notes : ○ : For With Safty Regulations Version (Black Type) [AD],  
 △ : For With Safty Regulations Version (Champagne Gold Type) [AD],  
 ● : For U.S.A. Version [UZ], ▲ : For Canada Version [UQ], Others : Common.

Symbol No.	Part No.	Description	Symbol No.	Part No.	Description
<b>Transistors</b>					
●	Q701	48E09231S01 KRA102M	○	D706	48E04616S01 1N4148
●	or	48E09229S02 DTA114ES		D707	48E04616S01 1N4148
▲	Q701	48E09231S01 KRA102M		D708	48E04616S01 1N4148
▲	or	48E09229S02 DTA114ES		D710	48E04616S01 1N4148
	Q702	48E09231S01 KRA102M	△	D711	48E04616S01 1N4148
	or	48E09229S02 DTA114ES		D712	48E04616S01 1N4148
	Q703	48E09228S01 KRC102M		D713	48E04616S01 1N4148
	or	48E09229S01 DTC114ES		D714	48E04616S01 1N4148
	or	48E09230S01 2SC3402		D715	48E04616S01 1N4148
	Q704	48E09231S01 KRA102M		D716	48E04616S01 1N4148
	or	48E09229S02 DTA114ES		D717	48E04616S01 1N4148
	Q705	48E09228S01 KRC102M	●	D718	48E04616S01 1N4148
	or	48E09229S01 DTC114ES		D720	48E04616S01 1N4148
	or	48E09230S01 2SC3402		D721	48E04616S01 1N4148
●	Q708	48E09228S01 KRC102M	▲	D721	48E04616S01 1N4148
●	or	48E09229S01 DTC114ES		D722	48E04616S01 1N4148
	Q708	48E09228S01 KRC102M		D723	48E04616S01 1N4148
	or	48E09229S01 DTC114ES		D724	48E04616S01 1N4148
	Q709	48E09232S01 KTC3199		D726	48E04616S01 1N4148
	or	48E09327S01 2SC3330T	<b>Ceramic Filter / Crystal</b>		
	Q710	48E09234S01 KTA1267Y	CF701	48E09235S01 CSA4.00MG	
	Q711	48E09232S01 KTC3199	X701	91E09242S01 Crystal, 7.2MHz	
	or	48E09327S01 2SC3330T	<b>LED's</b>		
	Q712	48E09228S01 KRC102M	LD701	48E09226S01 SLH-34DT (ORG)	
	or	48E09229S01 DTC114ES	LD702	48E09237S01 SLB-27VR (RED)	
	or	48E09230S01 2SC3402	LD703	48E09236S01 SLB-27DU (ORG)	
	Q713	48E09228S01 KRC102M	LD704	48E09236S01 SLB-27DU (ORG)	
	or	48E09229S01 DTC114ES	LD705	48E09236S01 SLB-27DU (ORG)	
	or	48E09230S01 2SC3402	LD706	48E09236S01 SLB-27DU (ORG)	
	Q715	48E09228S01 KRC102M	LD708	48E09237S01 SLB-27VR (RED)	
	or	48E09229S01 DTC114ES	<b>Switches</b>		
	or	48E09230S01 2SC3402	S701	40E09328S01 Rotary, SRBV (REC OUT SELECTOR)	
	Q716	48E09228S01 KRC102M	●	S702	40E09279S01 Slide, SSSS2 (25KHz - 200KHz)
	or	48E09229S01 DTC114ES	▲	S702	40E09279S01 Slide, SSSS2 (25KHz - 200KHz)
	or	48E09230S01 2SC3402		S703	40E09276S01 Key, R663830 (1)
<b>Diodes</b>				S704	40E09276S01 Key, R663830 (4)
	D701	48E04616S01 1N4148		S705	40E09276S01 Key, R663830 (7)
	D702	48E04616S01 1N4148			
	D703	48E04616S01 1N4148			
	D704	48E04616S01 1N4148			
	D705	48E04616S01 1N4148			

Notes : ○ : For With Safty Regulations Version (Black Type) [AD],  
 △ : For With Safty Regulations Version (Champagne Gold Type) [AD],  
 ● : For U.S.A. Version [UZ], ▲ : For Canada Version [UQ], Others : Common.



Symbol No.	Part No.	Description	Symbol No.	Part No.	Description
S706	40E09276S01	Key, R663830 (10)	Supply P. C. Board		
S707	40E09277S01	Key, R664402 (aute seek / manual)			
S708	40E09276S01	Key, R663830 (2)			
S709	40E09276S01	Key, R663830 (5)			
S710	40E09276S01	Key, R663830 (8)			
S711	40E09276S01	Key, R663830 (+ 10)			
S712	40E09276S01	Key, R663830 (3)			
S713	40E09276S01	Key, R663830 (6)			
S714	40E09276S01	Key, R663830 (9)			
S715	40E09277S01	Key, R664402 (store (computer store))			
S716	40E09277S01	Key, R664402 (stereo / mono)			
S719	40E09276S01	Key, R663830 (TUNING » )			
S720	40E09276S01	Key, R663830 (TUNING « )			
S721	40E09276S01	Key, R663830 (POWER)			
S722	40E09276S01	Key, R663830 (CD synchro)			
S723	40E09276S01	Key, R663830 (FM)	IC's		
S724	40E09276S01	Key, R663830 (PHONO / AUX - 2)	● IC604	51E09201S01	MC78M15CT
S725	40E09276S01	Key, R663830 (AM)	● or	51T68838F01	L78M15
S726	40E09276S01	Key, R663830 (CD)	▲ IC604	51E09201S01	MC78M15CT
S727	40E09276S01	Key, R663830 (AUX - 1)	▲ or	51T68838F01	L78M15
S728	40E09276S01	Key, R663830 (tape monitor)	IC605	51E09199S01	MC78M05CT
Capacitors			or	51E09200S01	L78M05
C702	23E09272S01	ELY., 220 $\mu$ F / 6.3V	Transistor		
C703	21E04736S08	CER., 33pF	Q601	48E09209S01	KTC3198
C704	21E04736S08	CER., 33pF	Diodes		
C705	23E09271S02	ELY., 2.2 $\mu$ F / 50V	D612	48S40477U02	1N4002
C708	21E04734S10	CER., 100pF	D613	48S40477U02	1N4002
C709	21E04631S02	CER., 0.022 $\mu$ F	D614	48S40477U02	1N4002
C710	23E09272S01	ELY., 220 $\mu$ F / 6.3V	D615	48S40477U02	1N4002
C711	23E09273S02	ELY., 0.022 $\mu$ F / 5.5V	D616	48S40477U02	1N4002
C712	23E09271S01	ELY., 1 $\mu$ F / 50V	D622	48S40477U02	1N4002
C713	21E04736S02	CER., 27pF	ZD620	48E01750S04	Zener, GZA5.6
C714	21E04736S02	CER., 27pF	or	48T68699F13	Zener, MTZ5.6
C735	21E04622S20	CER., 0.022 $\mu$ F	ZD621	48E01750S05	Zener, GZA22
C736	21E04622S20	CER., 0.022 $\mu$ F	or	48E09227S01	Zener, MTZ22
C737	21E04622S20	CER., 0.022 $\mu$ F	Relay		
C738	23E09270S01	ELY., 22 $\mu$ F / 10V	RL601	80E09286S01	OMIT - SS-112LM
Capacitors			or	80E09287S01	OMI - SS-224LM
C614	08E04663S01	Line, 0.01 $\mu$ F	Capacitors		
C615	21E04631S04	CER., 0.047 $\mu$ F	C614	08E04663S01	Line, 0.01 $\mu$ F
C616	21E04631S04	CER., 0.047 $\mu$ F	C615	21E04631S04	CER., 0.047 $\mu$ F
C617	23E04731S04	ELY., 100 $\mu$ F / 35V	C616	21E04631S04	CER., 0.047 $\mu$ F
C617	23E04731S04	ELY., 100 $\mu$ F / 35V	● C617	23E04731S04	ELY., 100 $\mu$ F / 35V
C618	23E04635S10	ELY., 10 $\mu$ F / 50V	▲ C617	23E04731S04	ELY., 100 $\mu$ F / 35V
C618	23E04635S10	ELY., 10 $\mu$ F / 50V	● C618	23E04635S10	ELY., 10 $\mu$ F / 50V
C619	23E04636S04	ELY., 220 $\mu$ F / 25V	▲ C618	23E04635S10	ELY., 10 $\mu$ F / 50V
C620	23E04635S10	ELY., 10 $\mu$ F / 50V	C619	23E04636S04	ELY., 220 $\mu$ F / 25V
C621	21E04631S01	CER., 0.01 $\mu$ F	C620	23E04635S10	ELY., 10 $\mu$ F / 50V

Notes : ○ : For With Safty Regulations Version (Black Type) [AD],  
 △ : For With Safty Regulations Version (Champagne Gold Type) [AD],  
 ● : For U.S.A. Version [UZ], ▲ : For Canada Version [UQ], Others : Common.

Symbol No.	Part No.	Description	Symbol No.	Part No.	Description
○	C622	23E04636S07	ELY.,	47 $\mu$ F / 25V	
△	C623	21E04631S02	CER.,	0.022 $\mu$ F	
○	C623	21E04631S02	CER.,	0.022 $\mu$ F	
○	C624	21E04631S02	CER.,	0.022 $\mu$ F	
△	C624	21E04631S02	CER.,	0.022 $\mu$ F	
○	C625	21E04631S02	CER.,	0.022 $\mu$ F	
△	C625	21E04631S02	CER.,	0.022 $\mu$ F	
○	C801	08E04663S01	Line,	0.01 $\mu$ F	
△	C801	08E04663S01	Line,	0.01 $\mu$ F	
<b>Resistors</b>					
●	R604	06E05508S09	C.F., 3.3M	ohm 1/2W	
▲	R604	06E05508S09	C.F., 3.3M	ohm 1/2W	
	R605	06E04639S06	M.O., 270	ohm 1W	
	R609	06E05508S03	C.F., 1K	ohm 1/2W	
	R610	06E09483S04	Fuse,	1 ohm 1/4W	
<b>Control P. C. Board</b>					
<b>IC</b>					
●	IC707	51E09202S01	NJM2903S		
▲	IC707	51E09202S01	NJM2903S		
<b>Transistors</b>					
●	Q717	48E09228S01	KRC102M		
●	or	48E09229S01	DTC114ES		
●	or	48E09230S01	2SC3402		
▲	Q717	48E09228S01	KRC102M		
▲	or	48E09229S01	DTC114ES		
▲	or	48E09230S01	2SC3402		
●	Q719	48E09228S01	KRC102M		
●	or	48E09229S01	DTC114ES		
●	or	48E09230S01	2SC3402		
▲	Q719	48E09228S01	KRC102M		
▲	or	48E09229S01	DTC114ES		
▲	or	48E09230S01	2SC3402		
●	Q720	48E09228S01	KRC102M		
●	or	48E09229S01	DTC114ES		
●	or	48E09230S01	2SC3402		
▲	Q720	48E09228S01	KRC102M		
▲	or	48E09229S01	DTC114ES		
▲	or	48E09230S01	2SC3402		
●	Q721	48E09228S01	KRC102M		
●	or	48E09229S01	DTC114ES		
●	or	48E09230S01	2SC3402		
▲	Q721	48E09228S01	KRC102M		
▲	or	48E09229S01	DTC114ES		
▲	or	48E09230S01	2SC3402		
●	Q722	48E09228S01	KRC102M		
●	or	48E09229S01	DTC114ES		
●	or	48E09230S01	2SC3402		
▲	Q722	48E09228S01	KRC102M		
▲	or	48E09229S01	DTC114ES		
▲	or	48E09230S01	2SC3402		
●	Q723	48E09228S01	KRC102M		
●	or	48E09229S01	DTC114ES		
●	or	48E09230S01	2SC3402		
▲	Q723	48E09228S01	KRC102M		
▲	or	48E09229S01	DTC114ES		
▲	or	48E09230S01	2SC3402		
<b>Jacks</b>					
●	JK701	09E09256S01	Remote Control Tape DIN Jack		
▲	JK701	09E09256S01	Remote Control Tape DIN Jack		
●	JK702	09E09257S01	EXT. Keypad Terminal		
▲	JK702	09E09257S01	EXT. Keypad Terminal		
○	JK703	09E09258S01	Remote Control BUS Line Jack		
△	JK703	09E09258S01	Remote Control BUS Line Jack		
●	JK703	09E09259S01	Remote Control Serial Out Jack		
▲	JK703	09E09259S01	Remote Control Serial Out Jack		
●	JK704	09E09258S01	Remote Control BUS Line Jack		
●	JK705	09E09326S01	Repeater and EXT. Remote Sensor Jacks		
▲	JK705	09E09326S01	Repeater and EXT. Remote Sensor Jacks		
<b>Capacitors</b>					
●	C717	23E04635S03	ELY.,	1 $\mu$ F / 50V	
▲	C717	23E04635S03	ELY.,	1 $\mu$ F / 50V	
●	C718	23E04635S03	ELY.,	1 $\mu$ F / 50V	
▲	C718	23E04635S03	ELY.,	1 $\mu$ F / 50V	
●	C719	23E04635S08	ELY.,	2.2 $\mu$ F / 50V	
▲	C719	23E04635S08	ELY.,	2.2 $\mu$ F / 50V	
●	C721	21E04622S18	CER.,	220pF	
▲	C721	21E04622S18	CER.,	220pF	
●	C722	21E04622S18	CER.,	220pF	
▲	C722	21E04622S18	CER.,	220pF	

Notes : ○ : For With Safty Regulations Version (Black Type) [AD],  
 △ : For With Safty Regulations Version (Champagne Gold Type) [AD],  
 ● : For U.S.A. Version [UZ], ▲ : For Canada Version [UQ], Others : Common.

Symbol No.	Part No.	Description
● C723	21E04622S18	CER., 220pF
▲ C723	21E04622S18	CER., 220pF
C724	21E04622S18	CER., 220pF
● C725	21E04622S18	CER., 220pF
▲ C725	21E04622S18	CER., 220pF
● C726	21E04622S18	CER., 220pF
▲ C726	21E04622S18	CER., 220pF
● C727	21E04622S18	CER., 220pF
▲ C727	21E04622S18	CER., 220pF
● C728	21E04622S18	CER., 220pF
▲ C728	21E04622S18	CER., 220pF
● C730	21E04622S18	CER., 220pF
▲ C730	21E04622S18	CER., 220pF
● C731	21E04622S18	CER., 220pF
▲ C731	21E04622S18	CER., 220pF
● C732	21E04622S18	CER., 220pF
▲ C732	21E04622S18	CER., 220pF
● C733	21E04622S18	CER., 220pF
▲ C733	21E04622S18	CER., 220pF
<b>Resistors</b>		
● R771	06E04640S05	M.O., 150 ohm 2W
▲ R771	06E04640S05	M.O., 150 ohm 2W
● R772	06E04640S05	M.O., 150 ohm 2W
▲ R772	06E04640S05	M.O., 150 ohm 2W
<b>Switch P. C. Board</b>		
<b>IC</b>		
IC304	51E09206S01	GP1U501X
<b>Switch</b>		
S301	40E09274S01	Push (loudness)
<b>Capacitors</b>		
C309	21E04622S19	CER., 270pF
C310	21E04622S19	CER., 270pF
C311	08E04735S02	MYL., 0.047μF
C312	08E04735S02	MYL., 0.047μF
C707	21E04737S02	CER., 0.022μF

Symbol No.	Part No.	Description
<b>Tone P. C. Board</b>		
<b>IC's</b>		
IC302	51E09193S01	NJM4565SB
IC303	51E09193S01	NJM4565SB
<b>Capacitors</b>		
○ C301	21E04622S10	CER., 10pF
△ C301	21E04622S10	CER., 10pF
○ C302	21E04622S10	CER., 10pF
△ C302	21E04622S10	CER., 10pF
○ C313	23E04635S08	ELY., 2.2μF / 50V
○ C314	23E04635S08	ELY., 2.2μF / 50V
○ C315	23E04635S08	ELY., 2.2μF / 50V
○ C316	23E04635S08	ELY., 2.2μF / 50V
○ C319	21E04622S12	CER., 100pF
△ C319	21E04622S12	CER., 100pF
○ C320	21E04622S12	CER., 100pF
△ C320	21E04622S12	CER., 100pF
○ C321	21E04622S12	CER., 100pF
○ C322	21E04622S12	CER., 100pF
○ C325	08E04735S01	MYL., 0.012μF
○ C326	08E04735S01	MYL., 0.012μF
○ C327	08E04654S10	Plastic, 0.15μF
○ C328	08E04654S10	Plastic, 0.15μF
○ C329	21E04622S12	CER., 100pF
○ C330	21E04622S12	CER., 100pF
○ C331	23E04731S03	ELY., 4.7μF / 35V
○ C332	23E04731S03	ELY., 4.7μF / 35V
○ C333	21E04622S12	CER., 100pF
○ C334	21E04622S12	CER., 100pF
○ C335	23E04636S02	ELY., 22μF / 25V
○ C336	23E04636S02	ELY., 22μF / 25V
○ C337	23E04636S02	ELY., 22μF / 25V
○ C338	23E04636S02	ELY., 22μF / 25V
<b>Resistors</b>		
VR302	18E09266S01	Volume, Rotary 100K ohm (balance)
VR303	18E09267S01	Volume, Rotary 10K ohm (bass)
VR304	18E09267S01	Volume, Rotary 10K ohm (treble)

Notes : ○ : For With Safty Regulations Version (Black Type) [AD],  
 △ : For With Safty Regulations Version (Champagne Gold Type) [AD],  
 ● : For U.S.A. Version [UZ], ▲ : For Canada Version [UQ], Others : Common.

Symbol No.	Part No.	Description
<b>Speaker Switch P. C. Board</b>		
<b>Jack / Switch</b>		
JK901 S901	09E09254S01 40E09275S01	Phones Jack Switch, Push (speakers A/B)
<b>Capacitors</b>		
○ C901	21E04631S02	CER., 0.022μF
○ C902	21E04622S26	CER., 560pF
△ C902	21E04622S26	CER., 560pF
○ C903	21E04622S26	CER., 560pF
△ C903	21E04622S26	CER., 560pF
<b>Resistors</b>		
R901	06E04640S04	M.O., 270 ohm 2W
R902	06E04640S04	M.O., 270 ohm 2W
<b>Speaker Terminal P. C. Board</b>		
<b>Capacitors</b>		
○ C904	21E04631S02	CER., 0.022μF
△ C904	21E04631S02	CER., 0.022μF
○ C905	21E04631S02	CER., 0.022μF
△ C905	21E04631S02	CER., 0.022μF
○ C906	21E04631S02	CER., 0.022μF
△ C906	21E04631S02	CER., 0.022μF
○ C907	21E04631S02	CER., 0.022μF
△ C907	21E04631S02	CER., 0.022μF
○ C908	21E04631S09	CER., 2200pF
△ C908	21E04631S09	CER., 2200pF
● C908	21E04631S04	CER., 0.047μF
▲ C908	21E04631S04	CER., 0.047μF
○ C909	21E04631S09	CER., 2200pF
△ C909	21E04631S09	CER., 2200pF
● C909	21E04631S04	CER., 0.047μF
▲ C909	21E04631S04	CER., 0.047μF

Symbol No.	Part No.	Description
<b>Miscellaneous</b>		
○ ET101	09E09754S01	FM/AM Antenna Terminal
△ ET101	09E09754S01	FM/AM Antenna Terminal
● ET101	09E09249S01	FM/AM Antenna Terminal
▲ ET101	09E09249S01	FM/AM Antenna Terminal
○ ET901	09E09755S01	Speakers A and B Terminal
△ ET901	09E09755S01	Speakers A and B Terminal
● ET901	09E09255S01	Speakers A and B Terminals
▲ ET901	09E09255S01	Speakers A and B Terminals
○ F601	65E09767S01	Fuse, 250V-2A
△ F601	65E09767S01	Fuse, 250V-2A
● F601	65E09325S01	Fuse, 125V-4A
▲ F601	65E09325S01	Fuse, 125V-4A
○ F602	65E09767S01	Fuse, 250V-2A
△ F602	65E09767S01	Fuse, 250V-2A
FL701	65E09285S01	FL Display
○ JK801	09E09756S01	AC Outlet
△ JK801	09E09756S01	AC Outlet
● JK801	09E09260S01	AC Outlet
▲ JK801	09E09260S01	AC Outlet
LD301	48E09226S01	LED, SLH-34DT (ORG)
○ P801	28E04687S01	AC Power Cord
○ or	28E09758S01	AC Power Cord
△ P801	28E04687S01	AC Power Cord
△ or	28E09758S01	AC Power Cord
● P801	28E04686S01	AC Power Cord
● or	28E09288S01	AC Power Cord
▲ P801	28E04686S01	AC Power Cord
▲ or	28E09288S01	AC Power Cord
○ S801	40E09759S01	Voltage Selector Switch
△ S801	40E09759S01	Voltage Selector Switch
○ T601	25E09768S01	Power Transformer
△ T601	25E09768S01	Power Transformer
● T601	25E09329S01	Power Transformer
▲ T601	25E09329S01	Power Transformer
○ T602	25E09761S01	Power Transformer
△ T602	25E09761S01	Power Transformer
● T602	25E09281S01	Power Transformer
▲ T602	25E09282S01	Power Transformer
VR301	18E09265S01	Volume, Rotary 150K ohm
M301		(VOLUME, MOTOR : 4.5V-100mA)

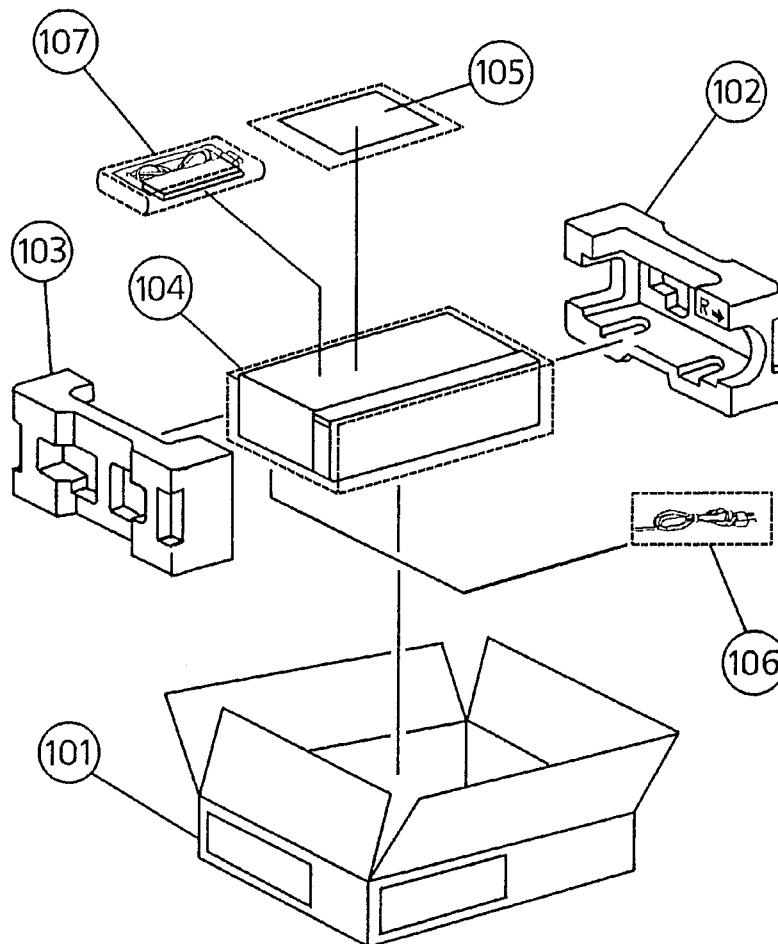
Notes : ○ : For With Safty Regulations Version (Black Type) [AD],  
 △ : For With Safty Regulations Version (Champagne Gold Type) [AD],  
 ● : For U.S.A. Version [UZ], ▲ : For Canada Version [UQ], Others : Common.

## Packing Assembly Parts List

Symbol No.	Part No.	Description	Symbol No.	Part No.	Description		
○	101	56E09330S01	Carton, Packing	●	107-1	60E09294S01	Battery
△	101	56E09621S01	Carton, Packing	▲	107-2	01E09293S01	DIN Cable (8P)
●	101	56E09330S01	Carton, Packing	▲	107-2	01E09293S01	DIN Cable (8P)
▲	101	56E09330S01	Carton, Packing	107-3	85E09295S01	AM Loop Antenna	
	102	56E09290S01	Tray, Packing (R)	107-4	85E09332S01	Dipole Antenna	
	103	56E09290S02	Tray, Packing (L)	107-5	01E09484S01	Converter	
	104	56E09291S01	Poly, Bag (Set)	107-6	01E09331S01	Remote Control Unit	
○	105	68P21552W32	Owner's Manual				
△	105	68P21552W32	Owner's Manual				
●	105	68P21552W30	Owner's Manual				
▲	105	68P21552W31	Owner's Manual				
	106	56E04783S01	Poly, Bag (AC Cord)				

Notes : ○ : For With Safty Regulations Version (Black Type) [AD],  
 △ : For With Safty Regulations Version (Champagne Gold Type) [AD],  
 ● : For U.S.A. Version [UZ], ▲ : For Canada Version [UQ], Others : Common.

## Packing Method View



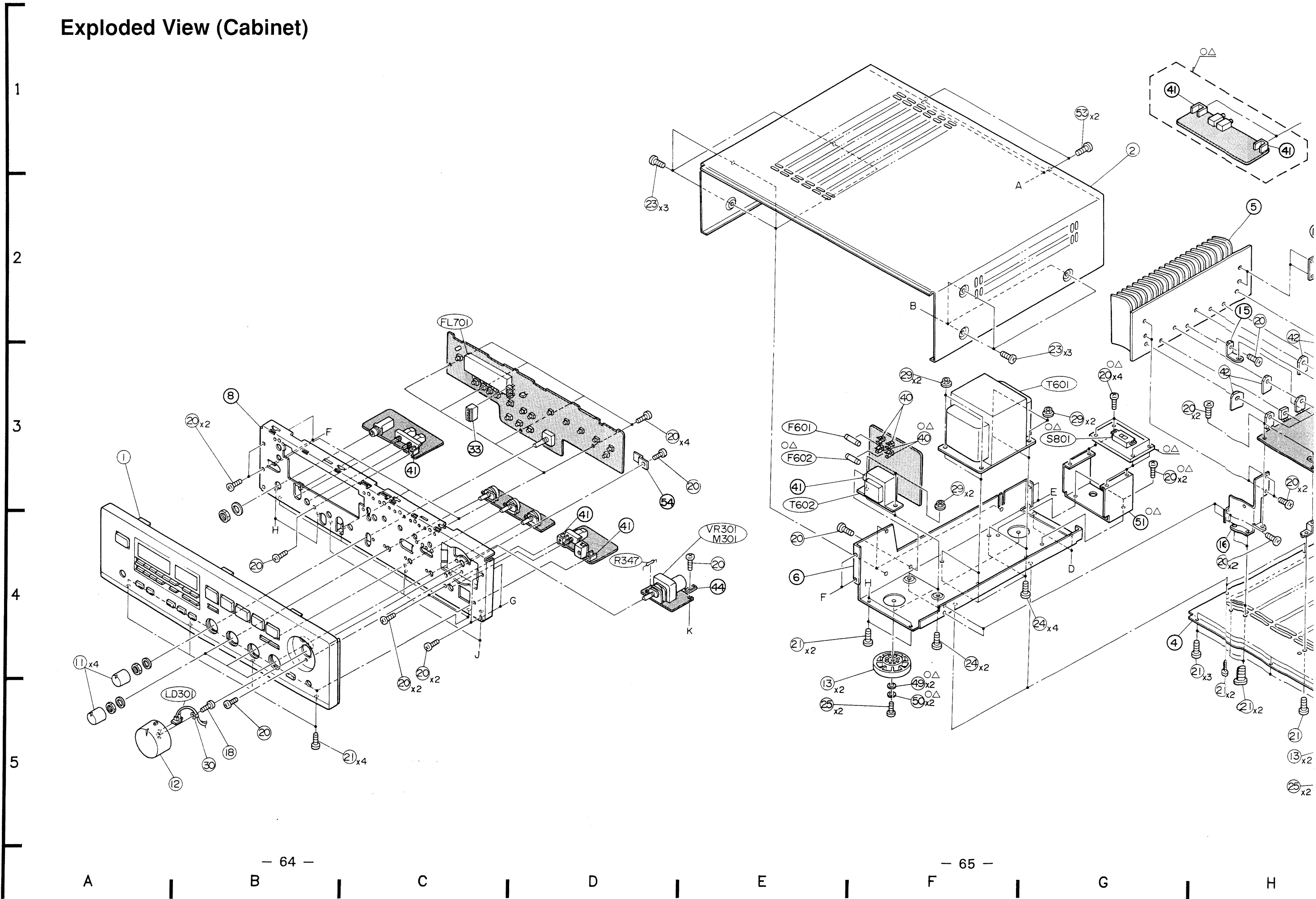
# Cabinet Assembly Parts List

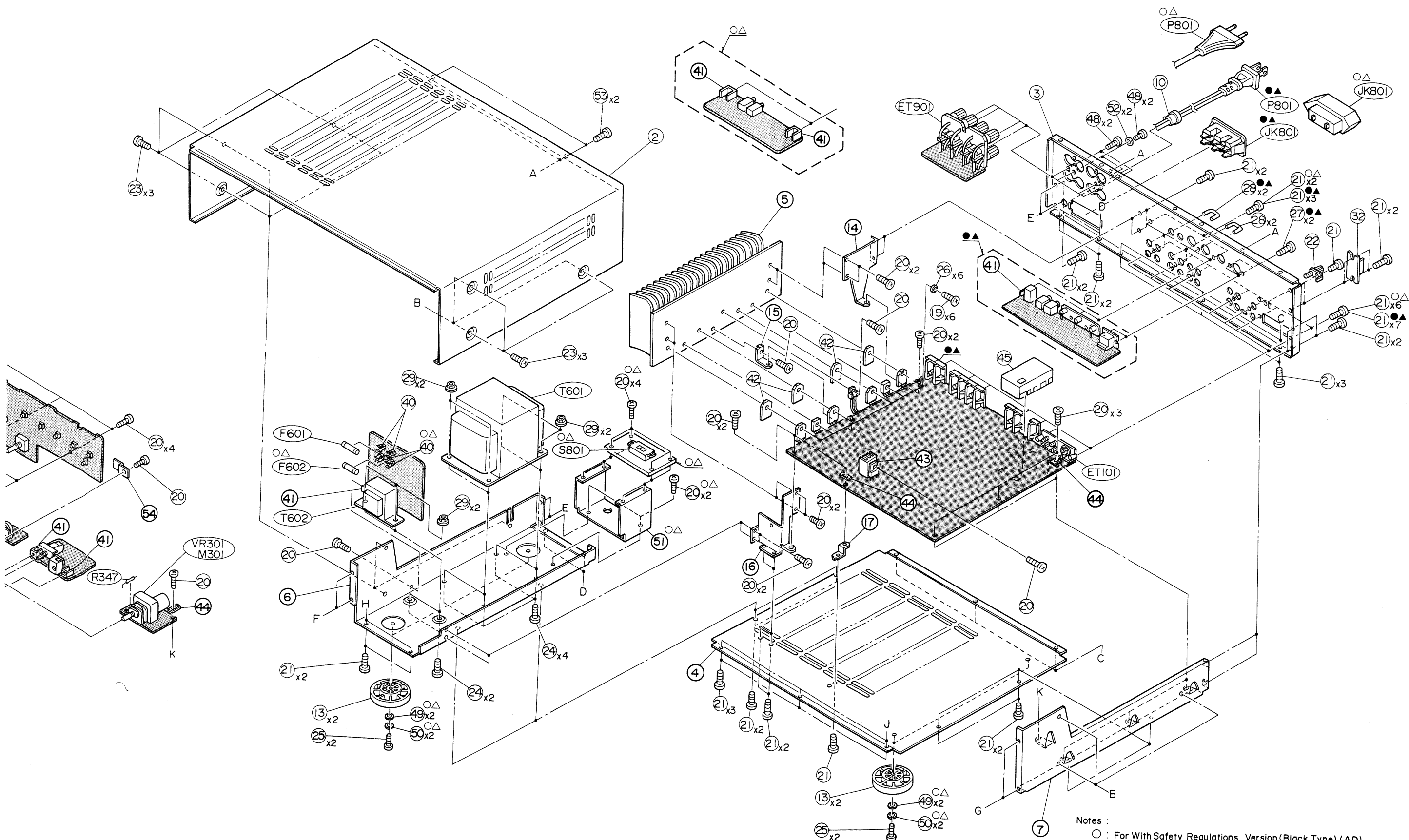
Note : The parts without parts list are not supplied.

Symbol No.	Index	Part No.	Description	Symbol No.	Index	Part No.	Description		
○	1	3-A	64E09335S01	Front Panel	○	48	03E04701S04	Screw, Tap Tite (M3 × 10)	
△	1	3-A	64E09771S01	Front Panel	○	49	04E09765S01	Washer, Plain (M4)	
●	1	3-A	64E09335S01	Front Panel	△	49	04E09765S01	Washer, Plain (M4)	
▲	1	3-A	64E09335S01	Front Panel	○	50	04E09766S01	Washer, Spring (M4)	
○	2	1-G	15E09298S01	Top Cover	△	50	04E09766S01	Washer, Spring (M4)	
△	2	1-G	15E09769S01	Top Cover		52	1-J	04E06190S01	Washer, Toothed Lock (M3)
●	2	1-G	15E09298S01	Top Cover	53	1-G	03E07999S01	Screw, Tap Tite (M3 × 8)	
▲	2	1-G	15E09298S01	Top Cover					
○	3	1-I	15E09770S01	Rear Panel					
△	3	1-I	15E09770S01	Rear Panel					
●	3	1-I	15E09333S01	Rear Panel					
▲	3	1-I	15E09334S01	Rear Panel					
	10	1-J	43E04688S01	Cord Bushing					
○	11		36E09302S01	Knob 21					
△	11		36E09763S01	Knob 21					
●	11		36E09302S01	Knob 21					
▲	11		36E09302S01	Knob 21					
○	12	5-A	36E09303S01	Knob 25					
△	12	5-A	36E09764S01	Knob 25					
●	12	5-A	36E09303S01	Knob 25					
▲	12	5-A	36E09303S01	Knob 25					
○	13		75E08701S01	Foot					
△	13		75E08701S01	Foot					
●	13		75E09312S01	Foot					
▲	13		75E09312S01	Foot					
	18	5-B	03E04704S06	Screw, Tap Tite (M2.5 × 6)					
	19	2-I	03E04704S02	Screw, Tap Tite (M3 × 10)					
	20		03E04704S01	Screw, Tap Tite (M3 × 8)					
	21		03E04701S01	Screw, Tap Tite (M3 × 8)					
	22	2-K	29E09299S01	Ground Terminal					
	23		03E04702S01	Screw, Tap Tite (M4 × 8)					
	24		03E04702S05	Screw, Tap Tite (M4 × 12)					
	25		03E04701S07	Screw, Tap Tite (M4 × 14)					
●	26	2-I	04E09306S01	Washer, Spring (M3)					
	27	2-K	05E04709S01	Nylon Rivet (M3 × 4.5)					
▲	27	2-K	05E04709S01	Nylon Rivet (M3 × 4.5)					
	28		22E09489S01	Jumper Pin					
	29		02E06181S01	Nut, Flange (M4)					
	30	5-B	29E09486S01	Lug					
	32	2-K	07E09487S01	Antenna Holder					
	40	3-F	09E09253S01	Fuse Clip					
	42		14E09485S01	Insulator, Sheet					
○	45	2-I	77E09772S01	FM Front End (FE101)					
△	45	2-I	77E09772S01	FM Front End (FE101)					
●	45	2-I	77E09239S01	FM Front End (FE101)					
▲	45	2-I	77E09239S01	FM Front End (FE101)					

Notes : ○ : For With Safty Regulations Version (Black Type) [AD],  
 △ : For With Safty Regulations Version (Champagne Gold Type) [AD],  
 ● : For U.S.A. Version [UZ], ▲ : For Canada Version [UQ], Others : Common.

# Exploded View (Cabinet)



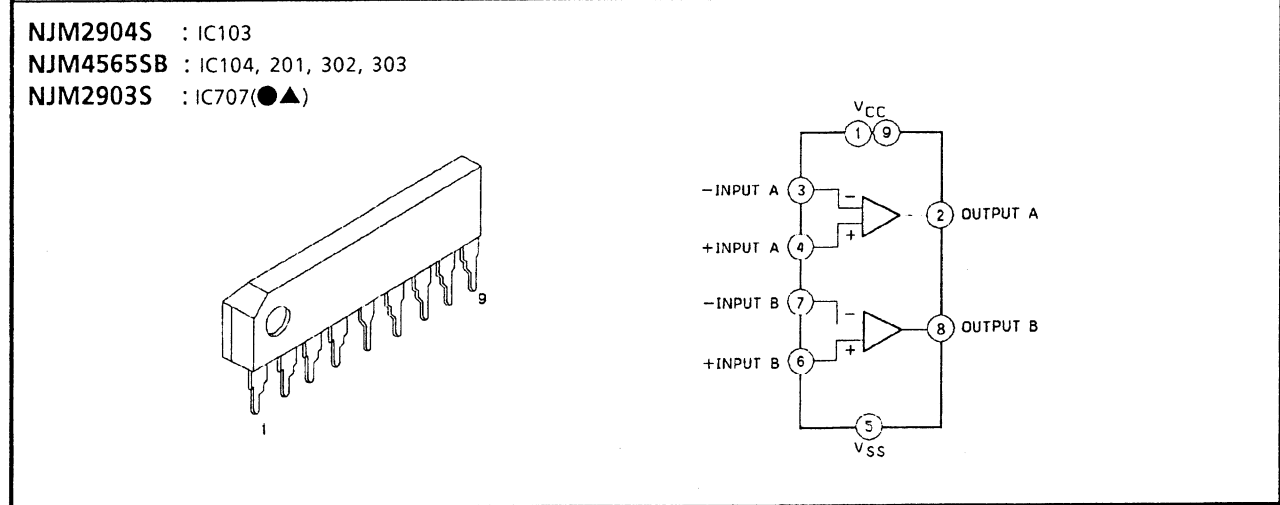
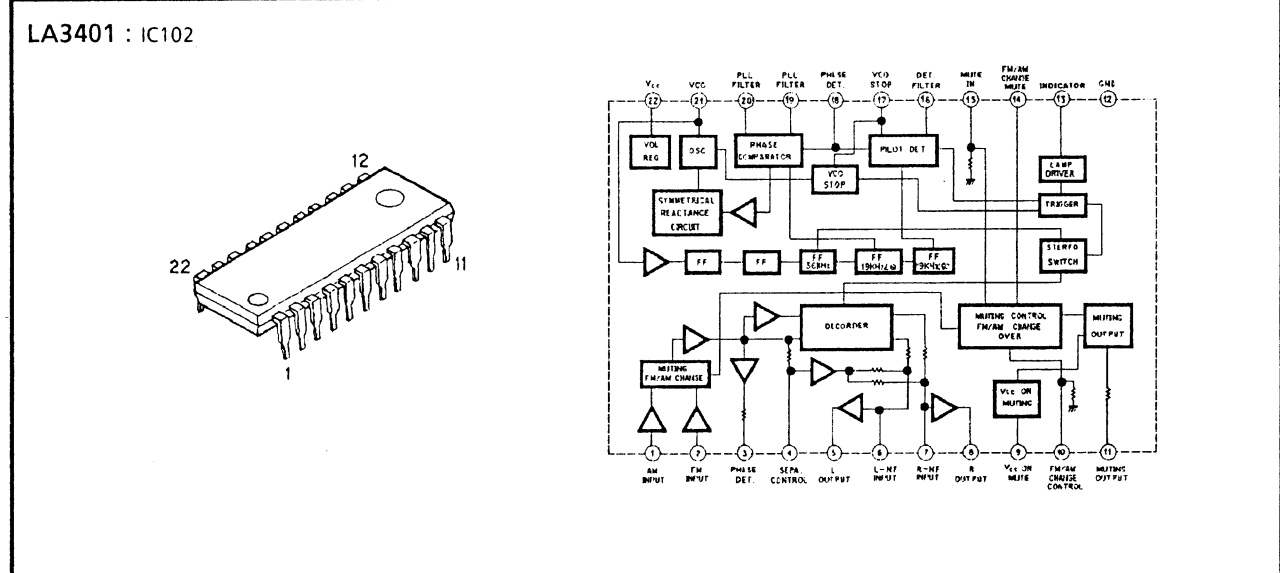
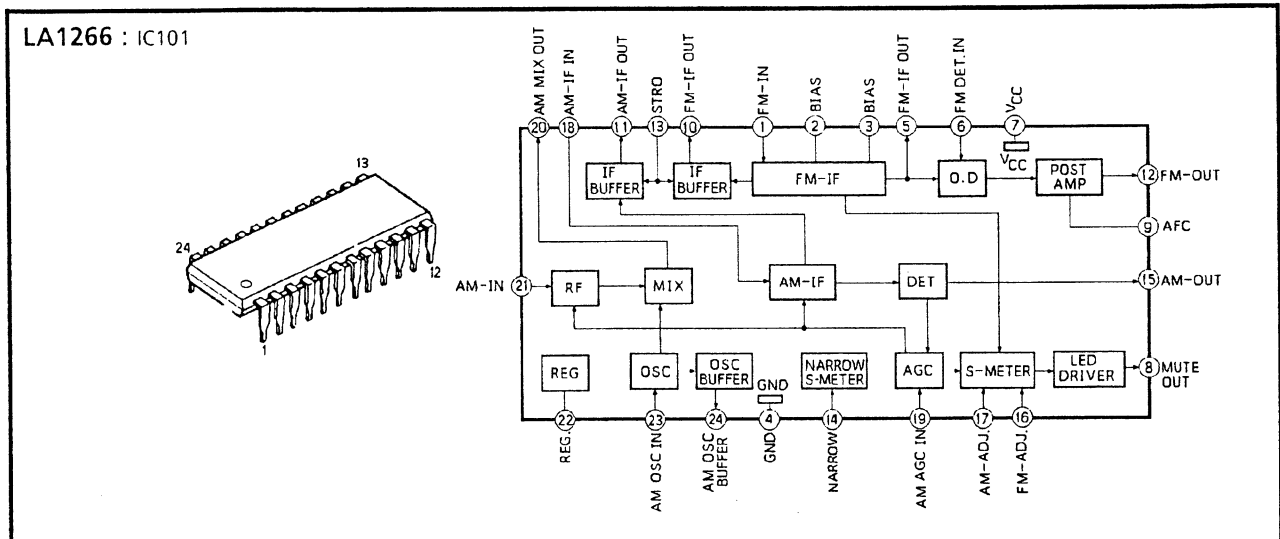


- Notes :
- : For With Safety Regulations Version (Black Type) (AD)
  - △ : For With Safety Regulations Version (Champagne Gold Type) (AD)
  - : For U. S. A. Version (UZ)
  - ▲ : For Canada Version (UQ)
  - Others : Common

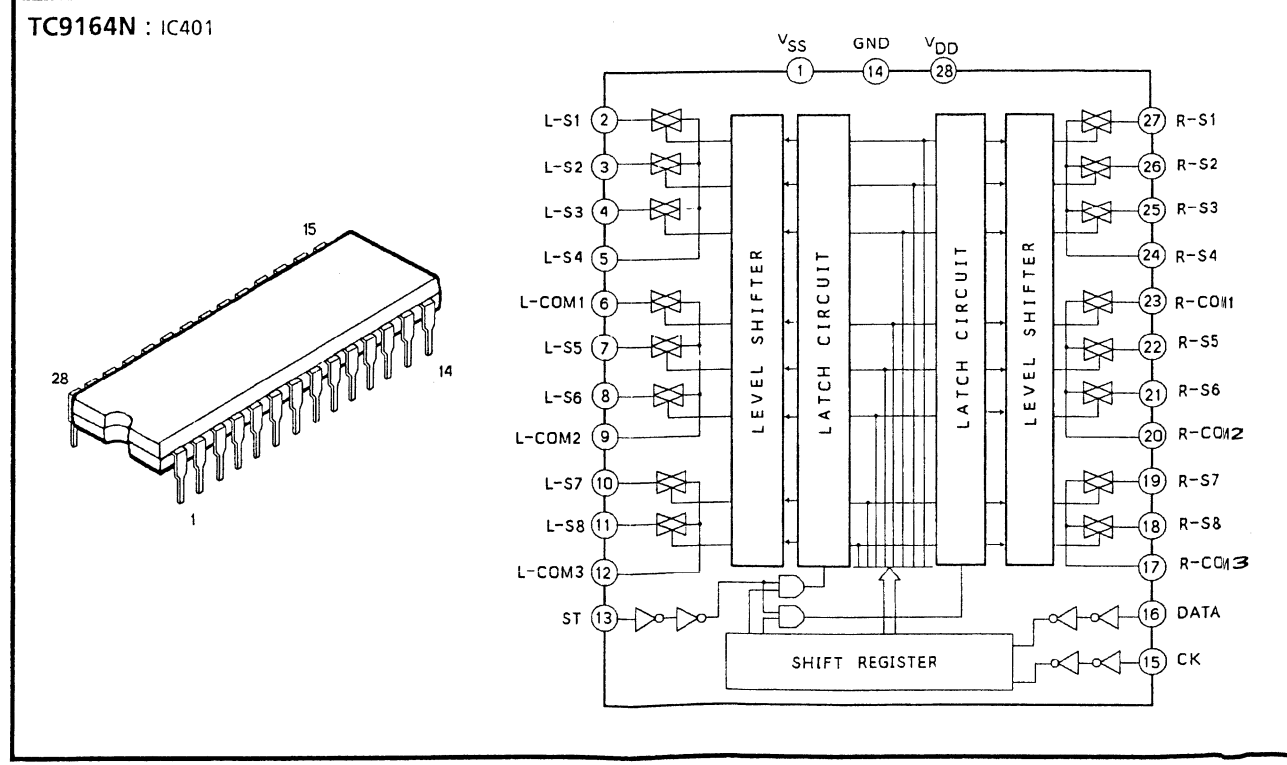
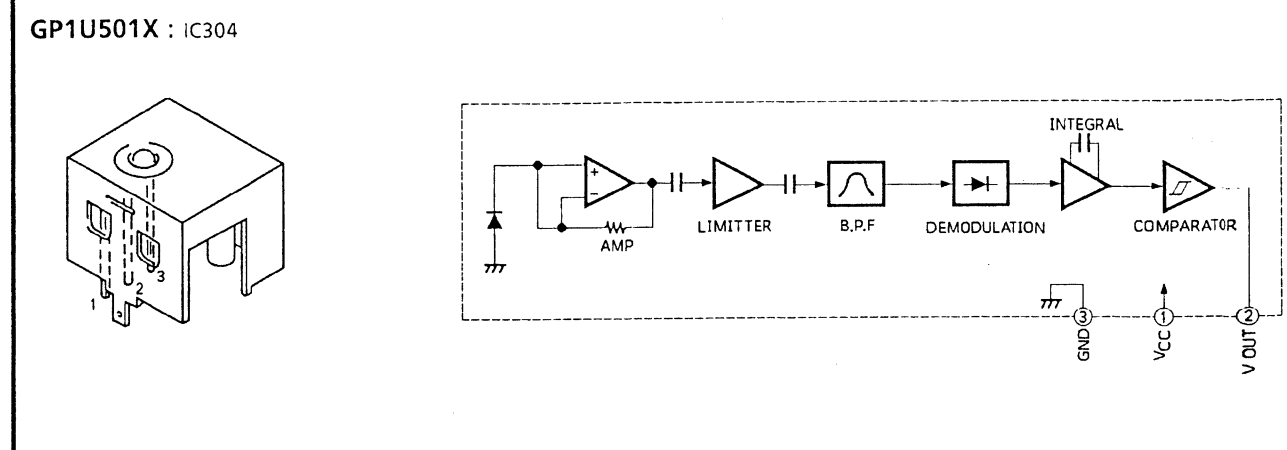
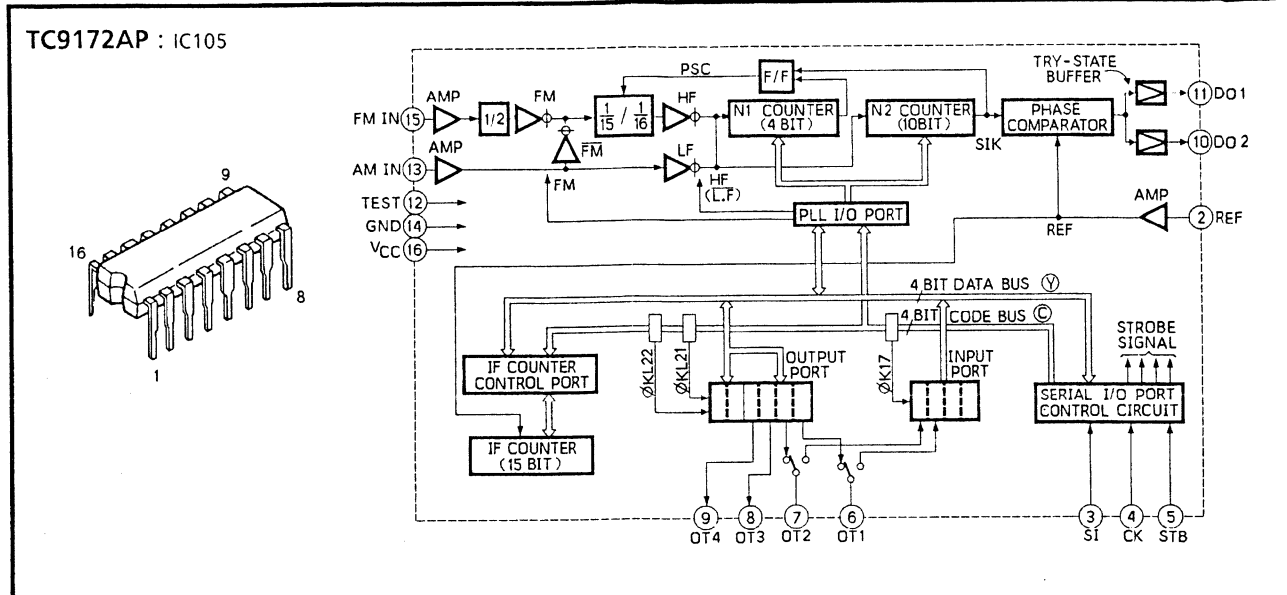
D | E | F | G | H | I | J | K



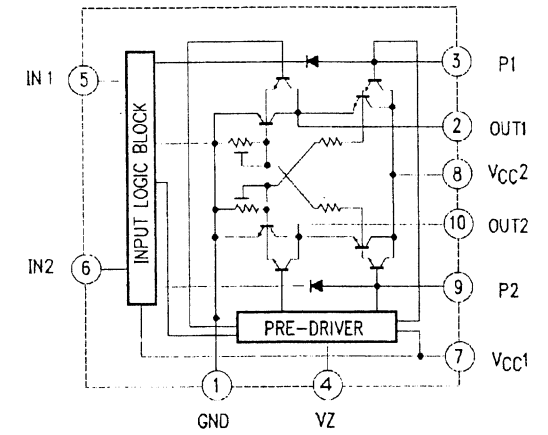
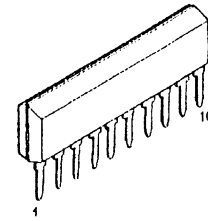
### Semi-Conductor Lead Identifications



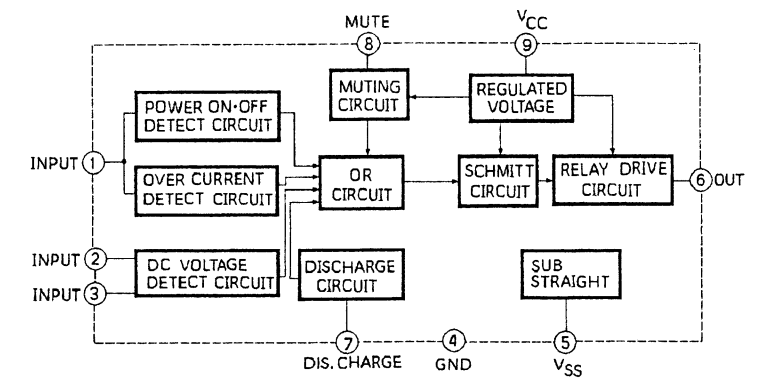
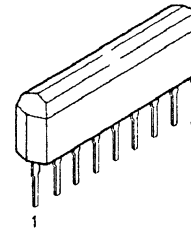
**Notes :** ○ : For With Safty Regulations Version (Black Type) [AD],  
 △ : For With Safty Regulations Version (Champagne Gold Type) [AD],  
 ● : For U.S.A. Version [UZ], ▲ : For Canada Version [UQ], Others : Common.



LB1641 : IC403

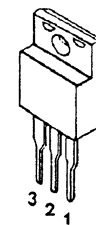


TA7317P : IC501

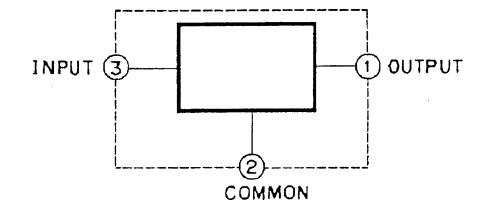


NJM78M15FA : IC601(●▲)

NJM78M15A : IC601(○△)

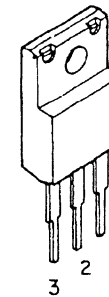


1: OUTPUT  
2: COMMON  
3: INPUT

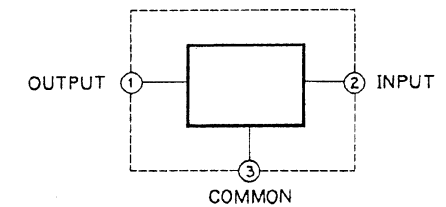


NJM79M15FA : IC602(●▲)

NJM79M15A : IC602(○△)

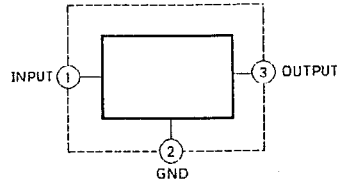


1  
2  
3

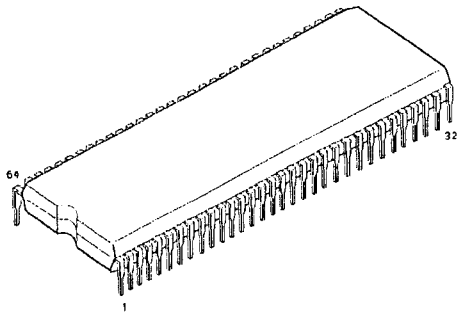


Notes : ○ : For With Safty Regulations Version (Black Type) [AD],  
 △ : For With Safty Regulations Version (Champagne Gold Type) [AD],  
 ● : For U.S.A. Version [UZ], ▲ : For Canada Version [UQ], Others : Common.

MC78M12CT } IC603  
 L78M12 }  
 MC78M15CT } IC604(●▲)  
 L78M15 }  
 MC78M05CT } IC605  
 L78M05 }

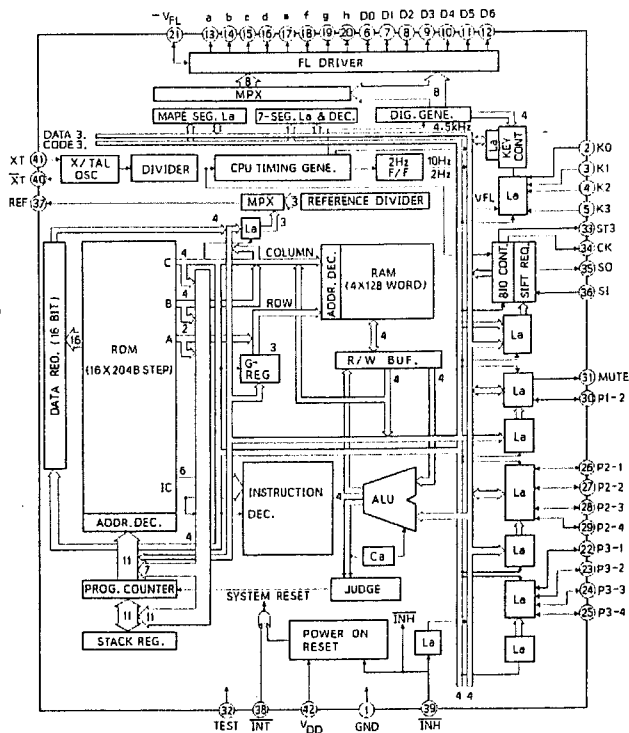
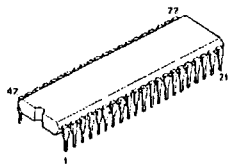


TMP47C860N : IC701



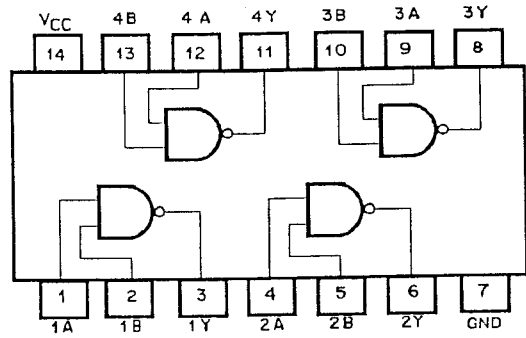
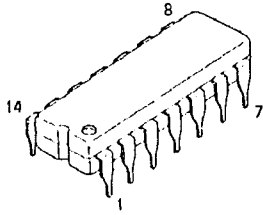
PIN NO.	CORD ADDRESS	I/O	PIN NO.	CORD ADDRESS	I/O	PIN NO.	CORD ADDRESS	I/O
1	VAREF	-	23	AF MUTE	O	45	K0	I
2	VASS	-	24	INPUT MUTE	O	46	K1	I
3	NC	-	25	VOL UP	O	47	K2	I
4	NC	-	26	VOL DOWN	O	48	K3	I
5	NC	-	27	TUNER	O	49	RST	I
6	NC	-	28	CD	O	50	X IN	I
7	NC	-	29	PHONO	O	51	X OUT	O
8	NC	-	30	AUX-1	O	52	HOLD	I
9	CD	I	31	TEST	-	53	REM IN	I
10	NC	-	32	VSS	-	54	REM OUT	O
11	NC	-	33	NC	-	55	S1	I
12	NC	-	34	NC	-	56	S0	O
13	NC	-	35	NC	-	57	GND	-
14	OFF	I	36	VOL LED	O	58	REM CNT	O
15	SOURCE	I	37	PWR PLY	O	59	EXT OUT	O
16	STP	I/O	38	SYHC	O	60	DATA	O
17	PLAY	I/O	39	TAPE-M	O	61	CK	O
18	FF	I/O	40	NC	-	62	STB	O
19	REV	I/O	41	DD	I/O	63	NC	-
20	NC	-	42	D1	I/O	64	VDD	-
21	PAUSE	I/O	43	NC	-	-	-	-
22	NC	-	44	NC	-	-	-	-

TC9301AN : IC702

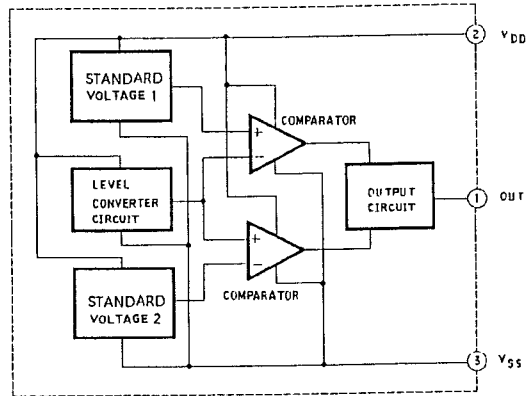
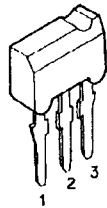


Notes : ○ : For With Safty Regulations Version (Black Type) [AD],  
 △ : For With Safty Regulations Version (Champagne Gold Type) [AD],  
 ● : For U.S.A. Version [UZ], ▲ : For Canada Version [UQ], Others : Common.

●▲MC74HC00 : IC703, 704



MN1280S : IC706



Notes : ○ : For With Safty Regulations Version (Black Type) [AD],  
 △ : For With Safty Regulations Version (Champagne Gold Type) [AD],  
 ● : For U.S.A. Version [UZ], ▲ : For Canada Version [UQ], Others : Common.